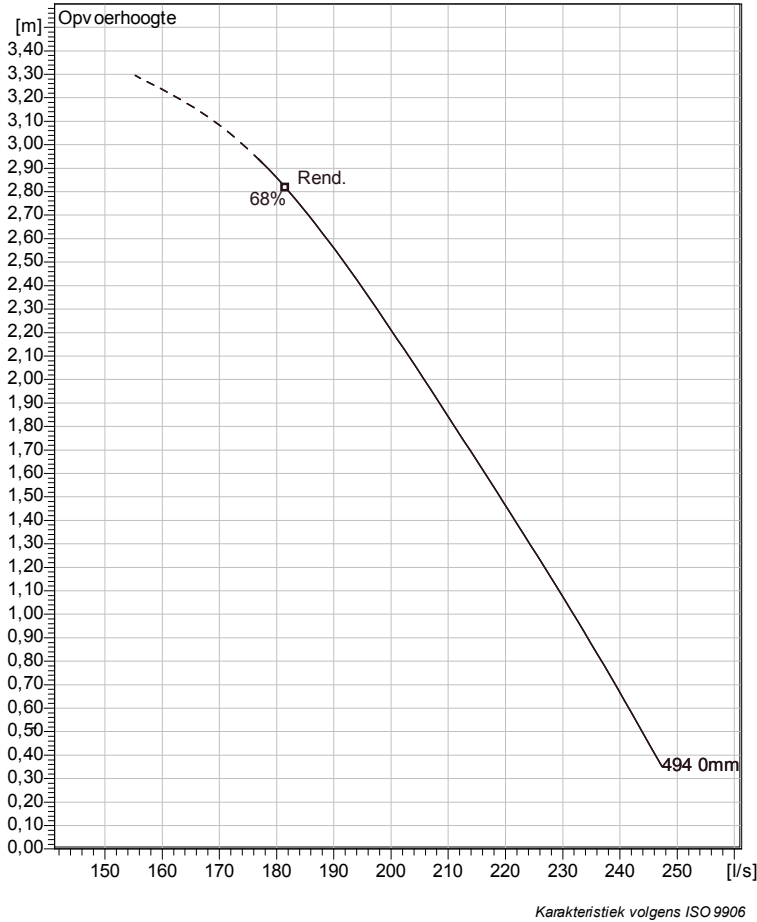


**PL 3127 LT 3~ 494**  
**Technische specificaties**



Note: Picture might not correspond to the current configuration.

**General**

Pompserie voor pompcapaciteiten bij lage opvoerhoogtes. Deze serie propellerpompen zijn uitermate geschikt voor de volgende toepassingsgebieden: polderwater, irrigatie en amusement.

**Waaier**

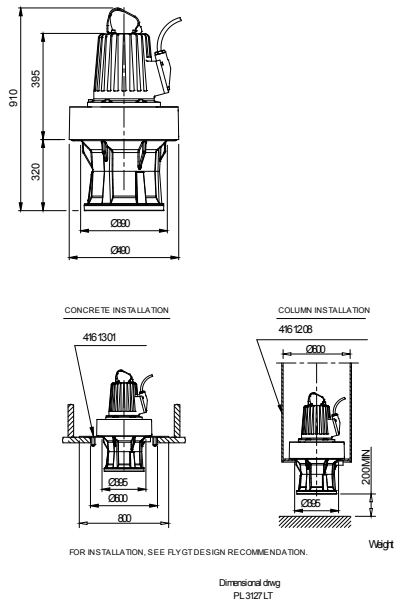
|                       |                 |
|-----------------------|-----------------|
| Impeller material     | Aluminium bronz |
| Column diameter       | 600             |
| Diameter aanzuigzijde |                 |
| Diameter waaier       | 0 mm            |
| Aantal bladen         | 0               |

**Motor**

|                    |                             |
|--------------------|-----------------------------|
| Motor #            | P3127.181 21-12-4AL-W 7,5KW |
| Stator variant     |                             |
| Frequentie         | 50 Hz                       |
| Nominale spanning  | 400 V                       |
| Aantal polen       | 4                           |
| Fasen              | 3~                          |
| Nominaal vermogen  | 7,5 kW                      |
| Toegekende stroom  | 15 A                        |
| Aanloopstroom      | 78 A                        |
| Nominaal toerental | 1435 1/min                  |
| Vermogensfactor    |                             |
| 1/1 Load           | 0,86                        |
| 3/4 Load           | 0,83                        |
| 1/2 Load           | 0,76                        |
| Rendement          |                             |
| 1/1 Load           | 81,5 %                      |
| 3/4 Load           | 83,5 %                      |
| 1/2 Load           | 83,0 %                      |

**Configuration**

**Soort installatie: Semi Permanent, Nat**



|         |            |            |            |             |
|---------|------------|------------|------------|-------------|
| Project | Project ID | Created by | Created on | Last update |
|         |            |            | 2012-10-13 |             |

## PL 3127 LT 3~ 494

### Karakteristiek

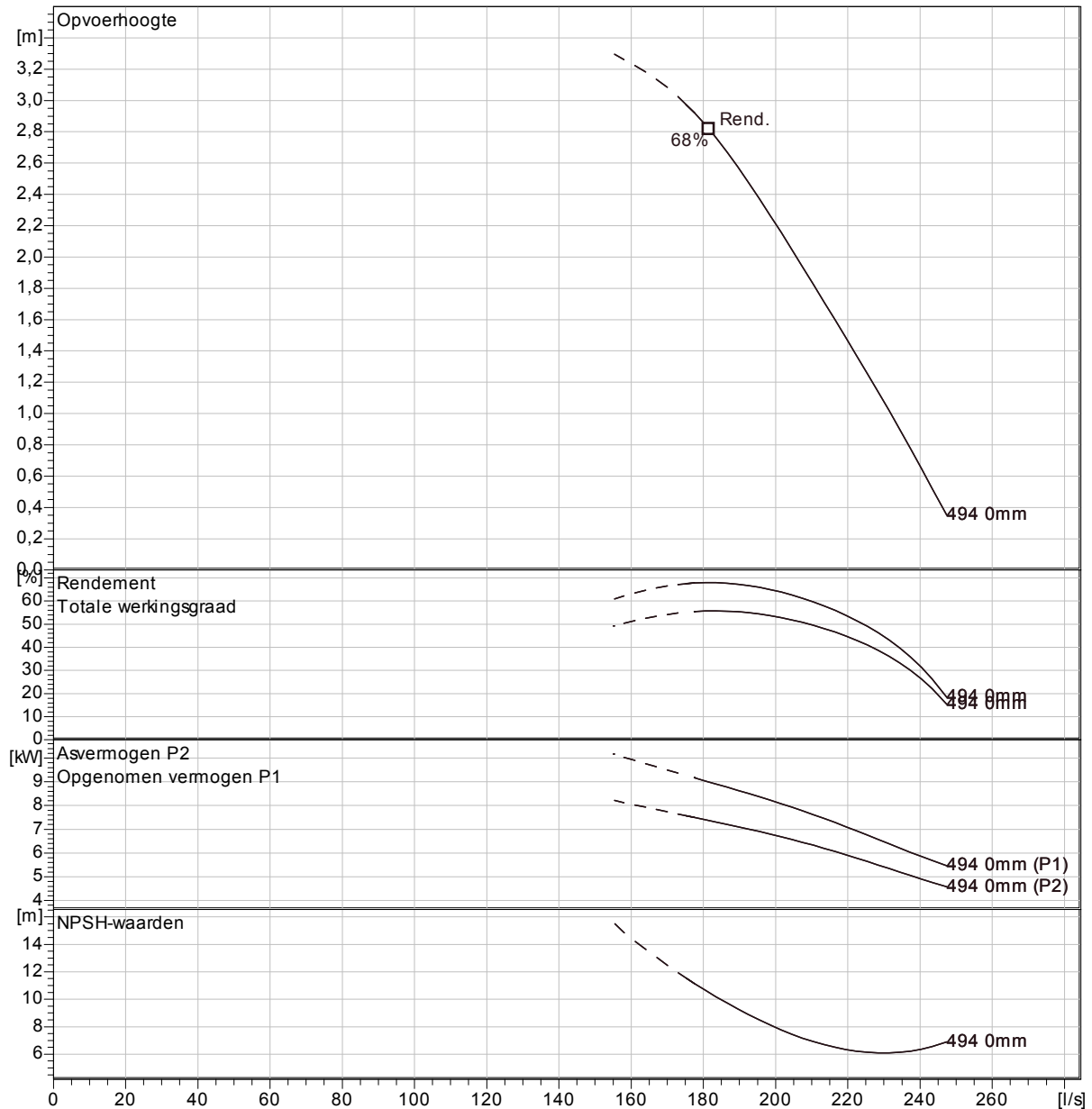
#### Pomp

|                       |      |
|-----------------------|------|
| Column diameter       | 600  |
| Diameter aanzuigzijde |      |
| Diameter waaier       | 0 mm |
| Aantal bladen         | 0    |

#### Motor

|                    |                             |
|--------------------|-----------------------------|
| Motor #            | P3127.181 21-12-4AL-W 7,5KW |
| Stator variant     |                             |
| Frequentie         | 50 Hz                       |
| Nominale spanning  | 400 V                       |
| Aantal polen       | 4                           |
| Fasen              | 3~                          |
| Nominaal vermogen  | 7,5 kW                      |
| Toegekende stroom  | 15 A                        |
| Aanloopstroom      | 78 A                        |
| Nominaal toerental | 1435 1/min                  |

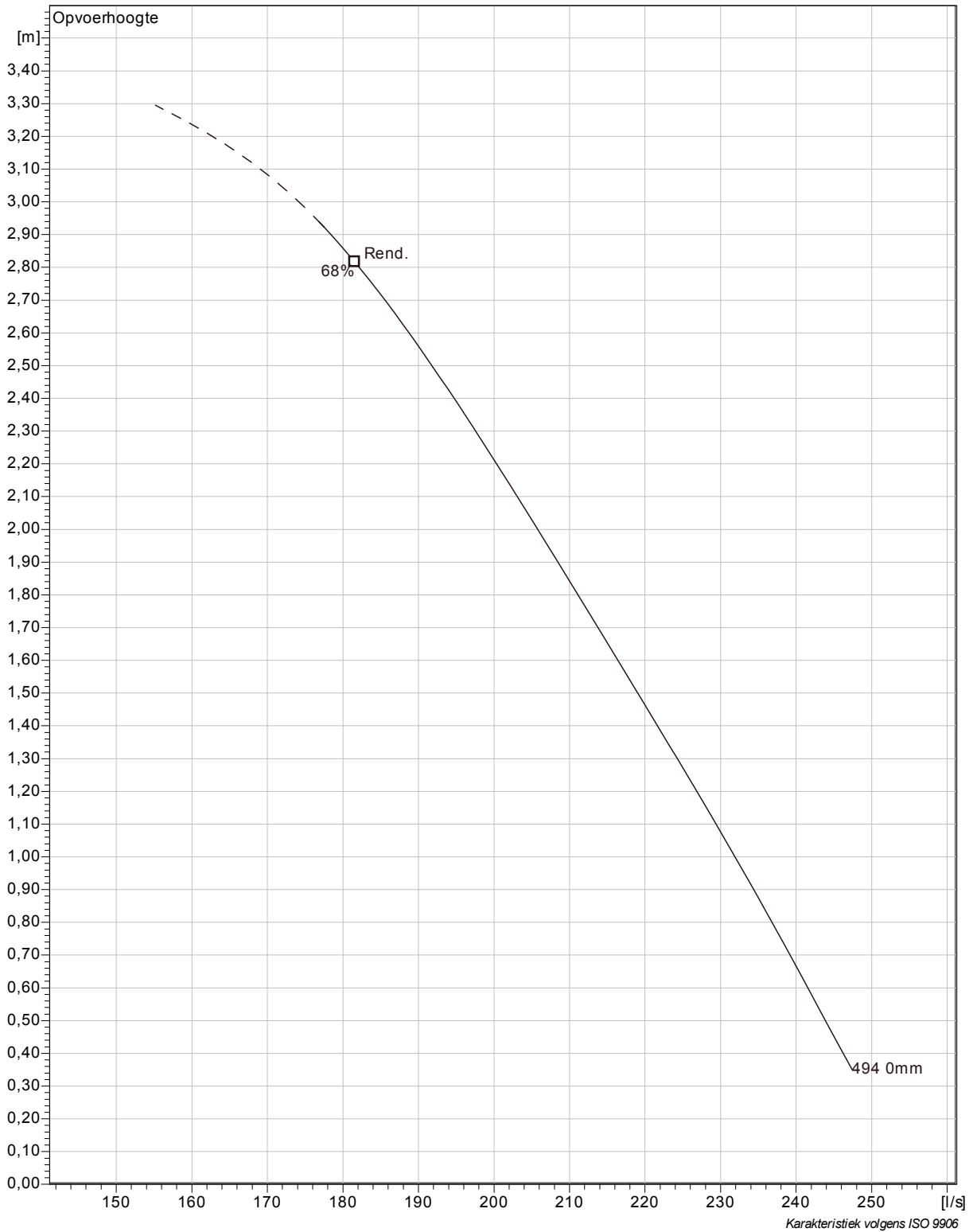
|                 |        |
|-----------------|--------|
| Vermogensfactor |        |
| 1/1 Load        | 0,86   |
| 3/4 Load        | 0,83   |
| 1/2 Load        | 0,76   |
| Rendement       |        |
| 1/1 Load        | 81,5 % |
| 3/4 Load        | 83,5 % |
| 1/2 Load        | 83,0 % |



Karakteristiek volgens ISO 9906

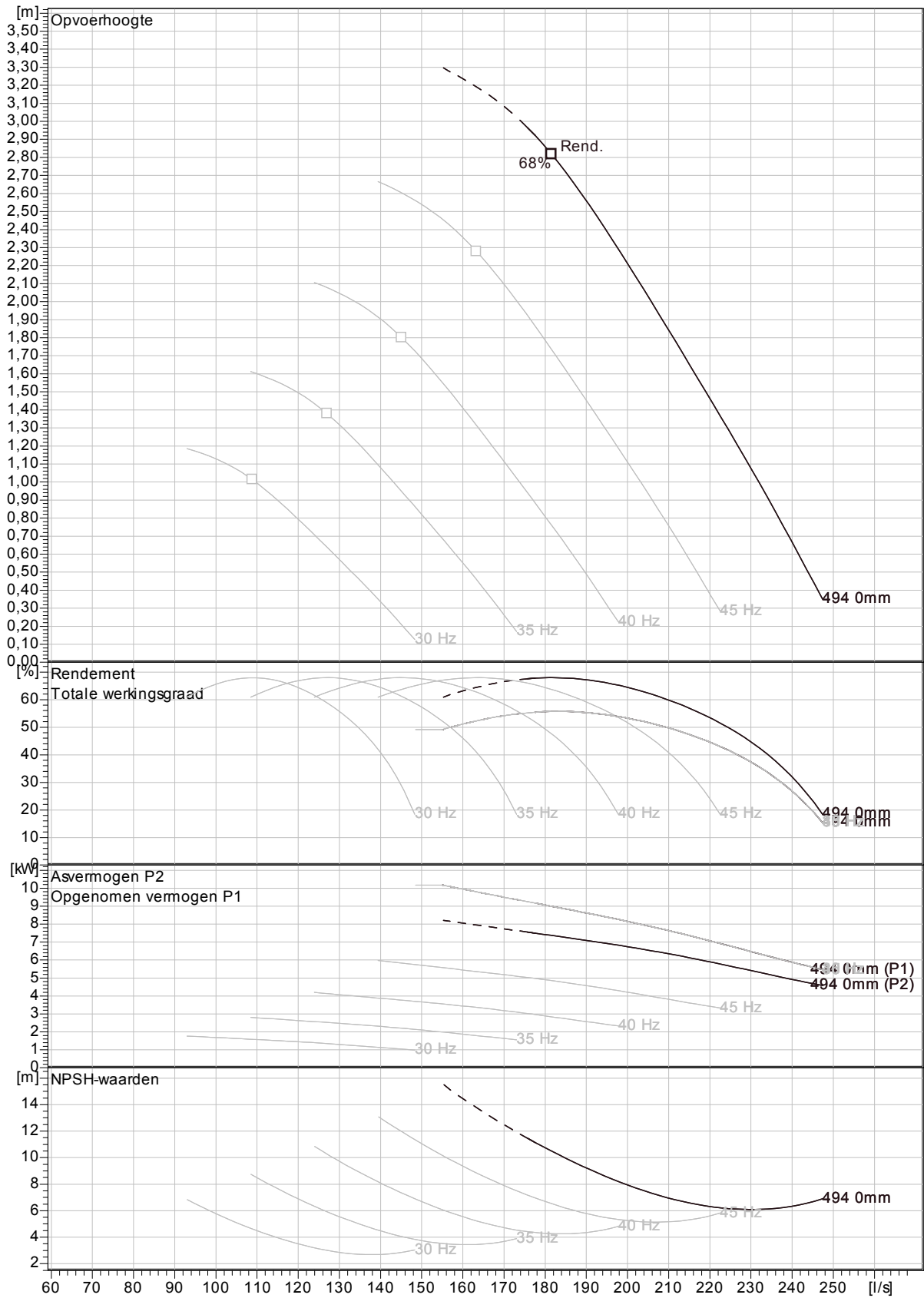
|         |            |            |                          |             |
|---------|------------|------------|--------------------------|-------------|
| Project | Project ID | Created by | Created on<br>2012-10-13 | Last update |
|---------|------------|------------|--------------------------|-------------|

**PL 3127 LT 3~ 494**  
**Duty Analysis**



| Project | Project ID | Created by | Created on | Last update |
|---------|------------|------------|------------|-------------|
|         |            |            | 2012-10-13 |             |

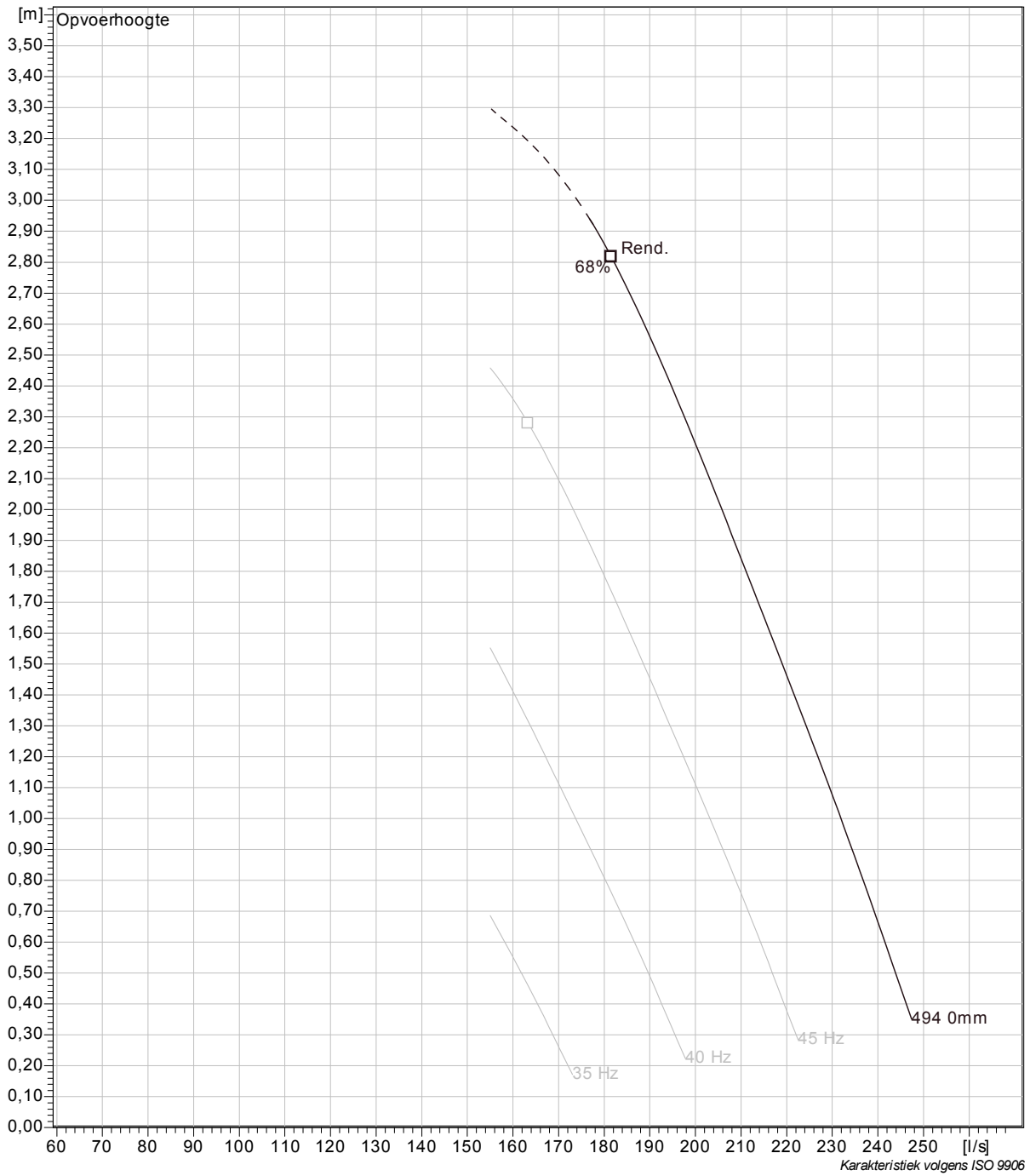
**PL 3127 LT 3~ 494**  
**VFD Curve**



Karakteristiek volgens ISO 9906

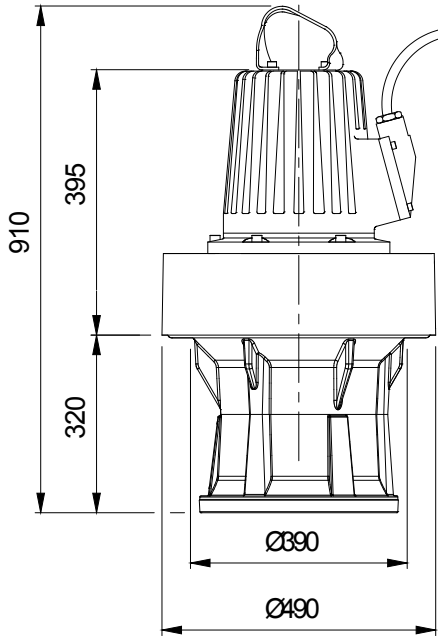
| Project | Project ID | Created by | Created on | Last update |
|---------|------------|------------|------------|-------------|
|         |            |            | 2012-10-13 |             |

**PL 3127 LT 3~ 494**  
**VFD Analysis**

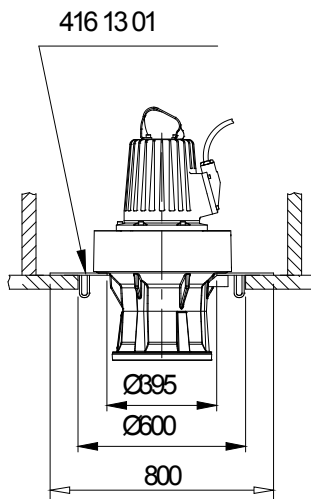


| Project | Project ID | Created by | Created on | Last update |
|---------|------------|------------|------------|-------------|
|         |            |            | 2012-10-13 |             |

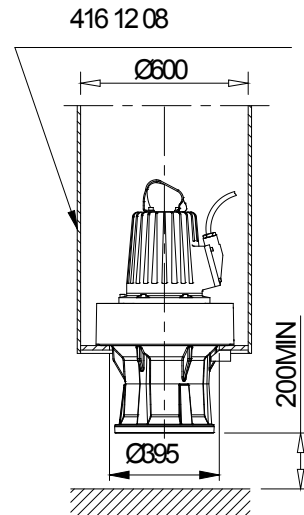
**PL 3127 LT 3~ 494**  
**Maattekening**



CONCRETE INSTALLATION



COLUMN INSTALLATION



FOR INSTALLATION, SEE FLYGT DESIGN RECOMMENDATION.

Weight

Dimensional drwg  
PL 3127 LT

| Project | Project ID | Created by | Created on | Last update |
|---------|------------|------------|------------|-------------|
|         |            |            | 2012-10-13 |             |