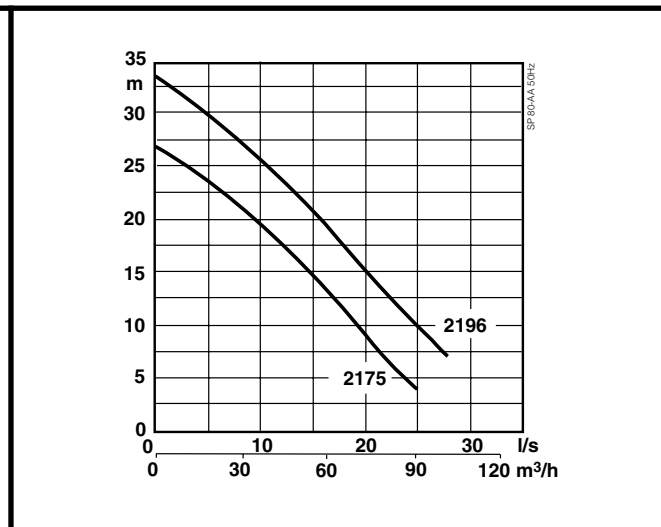
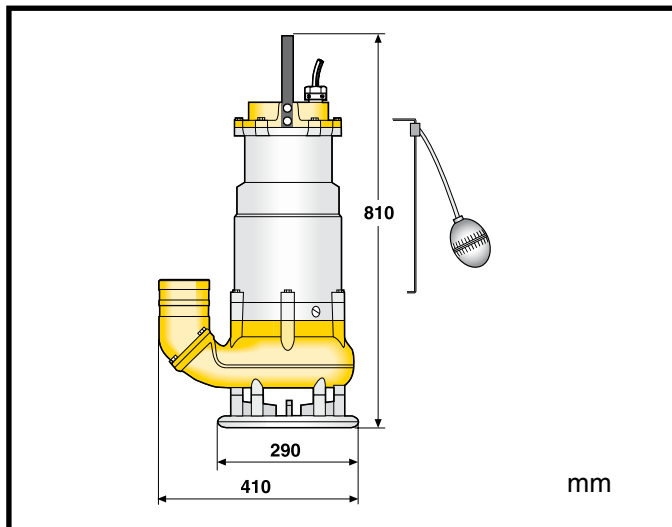


## Submersible sludge pump SP 80

50 Hz



SP80.02.1007.Eng50Hz  
The manufacturer reserves the right to alter performance, specifications or design without notice.

### Specification

Electric submersible pump.  
Maximum submergence: 20 m. Protection class IP 68.  
Max temperature of pumped medium at max power input and continuous duty 40°C.  
Max medium density 1100 kg/m³. pH of the pumped medium 5-8.  
Volute with free passage Ø 65 mm. Max no. of starts 30/hour. Max impeller diameter requires half motor or more submersed for continuous duty. (Pump can operate lying down.)

### Pump Types

SP 80-2175\*/-2196      3-phase  
SP 80A-2175\*/-2196    3-phase (built-in float switch, excl. 500V)

\* Impeller diameter for duty with low water level or intermittent dry running.

### Electric Motor

3-phase squirrel-cage induction motor, 50Hz.  
Service factor 1.1. Class F insulation.  
Max. power input P<sub>1</sub>: 9.4 kW. Motor rating P<sub>2</sub>: 8.0 kW.  
Speed: 2850 rpm

Voltage, V	230	400	500
Nominal current, A	27.8	16	12.2

### Starting Method

D.O.L. start with built-in contactor.  
D.O.L. start with built-in SoftDrive (400-460V).  
When used with VFD, pump must be equipped with terminal block instead of contactor.

### Power Cable

20 m type S1BN8-F (standard cable):  
4 x 4 sq.mm. (230-400V)  
4 x 2.5 sq.mm (500V)  
20 m type NSSHÖU.../3E (heavy duty cable):  
3x2.5+3x2.5/3E (230-500V)

### Motor Protection

Built-in thermal switches in the stator windings (140°C, ±5), connected to built-in contactor.

### Shaft Seal

Double mechanical seal in oil bath.  
Primary seal: Silicon carbide on silicon carbide  
Secondary seal: Stainless steel on antimony treated carbon

### Bearings

Upper bearing: Single-row deep groove ball bearing  
Lower bearing: Double angular contact ball bearing

### Materials

		EN	ASTM
Motor housing:	Aluminium	EN 1706: AC-43100	ASTM AISi10mg
Handle, fasteners:	Stainless steel	10088: X5CrNi18-10 (1.4301)	AISI 304
Rotor shaft:	Stainless steel	10088: X20Cr13 (1.4021)	AISI 420
Volute, impeller:	Nodular cast iron	1563: ENGJS-HB150	ASTM A 536-80: 60-40-18
O-rings:	Nitrile rubber		

### Discharge Connections

3", 4" (standard) hose connections  
3", 4" B.S.P. threaded connections

### Weight (without cable)

67 kg

### Options and Accessories

Zinc anodes. Surface protection coating  
Electronic motor supervision. Starter and control units.  
Automatic level control unit. PumpFloater. Service kit  
Discharge connection accessories and hose

