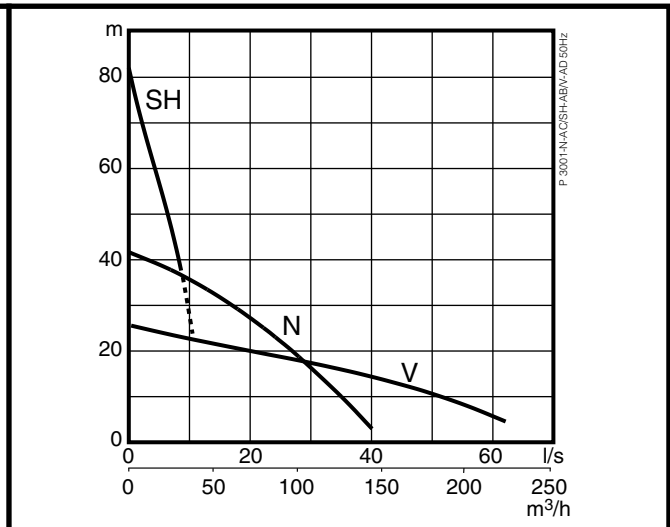
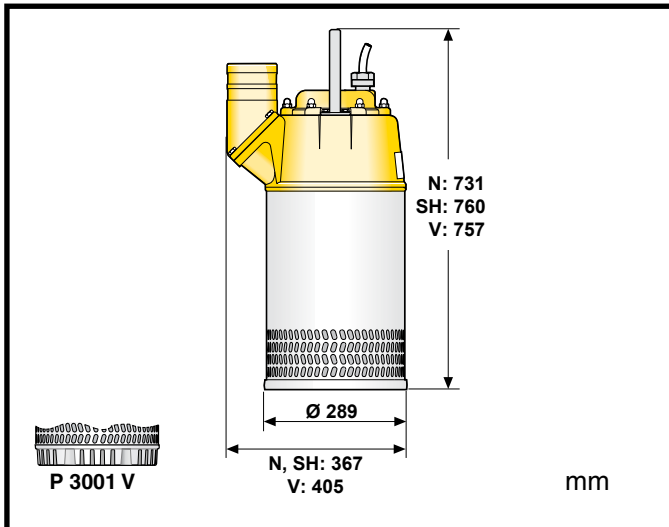


Submersible 50 Hz drainage pump P 3001



Specification

Electric submersible pump.
Maximum submergence: 20 m. Protection class IP 68.
Max temperature of pumped medium at max power input and continuous duty 40°C.
Max medium density 1100 kg/m³
pH of the pumped medium 5-8.
Strainer hole N: 7.5 x 16.5 mm, SH: 7.5 x 25 mm, V: max 9.0 x 28 mm.
Max number of starts 30/hour.

Pump Types

P 3001 N Medium head
P 3001 SH High head
P 3001 V High flow

Electric Motor

3-phase squirrel-cage induction motor, 50Hz.
Service factor 1.1. Class F insulation.
Max. power input P₁: 10.8 kW. Motor rating P₂: 9.4 kW.
Speed: 2850 rpm

Voltage, V	230	400	500	1000
Nominal current, A	31	18	14	7

Starting Method

D.O.L. start with built-in contactor (1000V with terminal block).
D.O.L. start with built-in SoftDrive (400-460V).
When used with VFD, pump must be equipped with terminal block instead of contactor.

Power Cable

20 m type S1BN8-F (standard cable):
4 x 4 sq.mm (230-400V)
4 x 2.5 sq.mm (500V)

20 m type NSSHÖU.../3E (heavy duty cable):
3x2.5+3x2.5/3E+3x1.5 (3 control cables included) (1000V)
3x2.5+3x2.5/3E (230-500V)

Motor Protection

Built-in thermal switches in the stator windings (140°C, ±5), connected to built-in contactor.

Shaft Seal

Double mechanical seal in oil bath.

Primary seal: Silicon carbide on silicon carbide
Secondary seal: Stainless steel on antimony treated carbon

Bearings

Upper bearing: Single-row deep groove ball bearing
Lower bearing: Double angular contact ball bearing

Materials

		EN	ASTM
Castings:	Aluminium	EN 1706: AC-43100	ASTM AISI10mg
Casing, handle, fasteners:	Stainless steel	10088: X5CrNi18-10 (1.4301)	AISI 304
Shaft:	Stainless steel	10088: X20Cr13 (1.4021)	AISI 420
Impeller V:	Hardened chrome steel	10088: X30Cr13 (1.4028)	AISI 420
Impeller N, SH:	White cast iron	EN-GJN-HV600 (XCr23)	ASTM A 532: Alloy III A
Wear parts SH:	Polyurethane		
Wear parts N, V, O-rings:	Nitrile rubber		

Discharge Connections

3" (standard SH), 4" (standard N), 6" (standard V) hose connections
3", 4", 6" G/BSP threaded connections

Weight (without cable)

N/V: 60 kg, SH: 67 kg

Options and Accessories

Zinc anodes. Surface protection coating
Diffusers in polyurethane (N). Electronic motor supervision.
Series connection. Starter and control units.
Automatic level control unit. PumpFloater. Service kit
Discharge connection accessories and hose.

