

3" SUBMERSED CENTRIFUGAL PUMPS in AISI 304



3" submersed centrifugal pumps in AISI 304.

APPLICATIONS

- Moving clear water in wells
- Pressure boosting of clean water for agricultural, domestic or industrial use
- Irrigation and moving water in general

TECHNICAL DETAILS

- Silent
- They can work horizontally

TECHNICAL DATA

- Maximum immersion: 60 m
- Maximum temperature of the liquid: 30°C
- Class of insulation F
- IP 58 protection rating
- 230V (+6 -10%) 50 Hz single phase voltage, 400V (+6 -10%) 50 Hz three phase voltage
- Permanent capacitor inserted and thermo-ampereometric protection with automatic reset incorporated for the single phase motor
- Protection under user's responsibility for the three phase version
- Discharge connection: G1
- Cable outlet cannot be disconnected
- Incorporated non-return valve

MATERIALS

- Casing, discharge outlet and motor connection in AISI 304
- Nozzle in POM polyacetalic resin
- Impeller in PPO reinforced with fibreglass

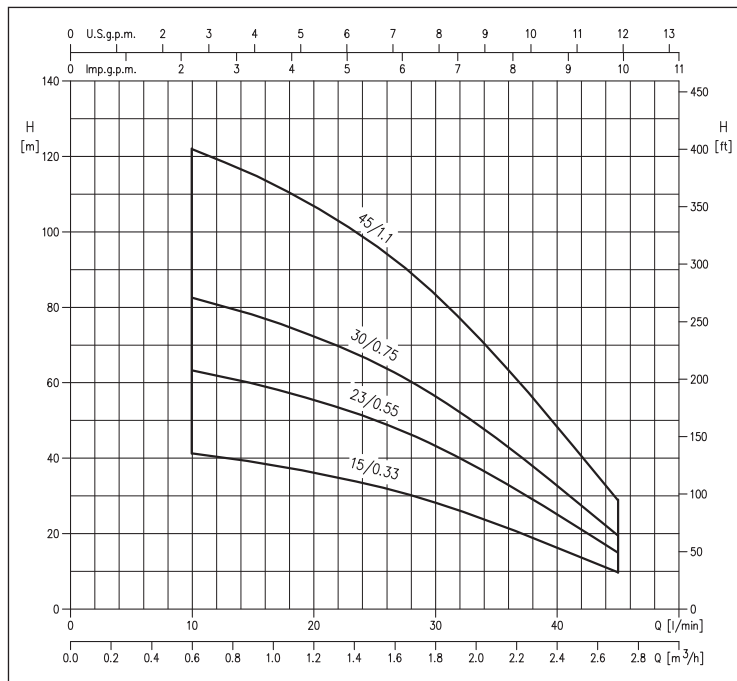
CONTROL PANELS

- Q Series (see page 42)
- 1EPBH (see page 43)

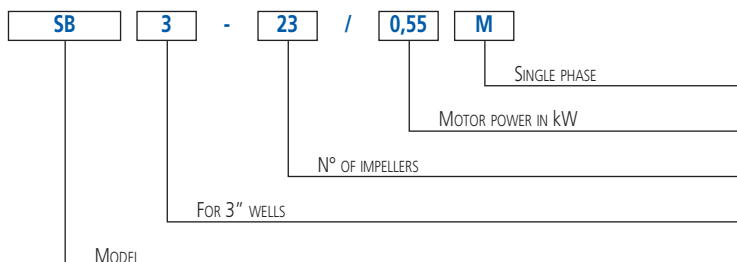
ACCESSORIES (on request)

- Junction for cable GPS-1 (for 4x1.5 and 4x2.5 cables)
- Casting resin cable junction 92A1 (section 1.5÷10 mm²)
- PVC 5 m key float with counter-weight
- PVC 10 m key float with counter-weight
- PVC 20 m key float with counter-weight
- Capacitor MF 16 450V L=150
- Capacitor MF 20,450V L=150
- Capacitor MF 25,450V L=150

PERFORMANCE RANGE (according to ISO 9906 Attachment A)



IDENTIFICATION CODE



3" SUBMERSED CENTRIFUGAL ELECTRIC PUMPS

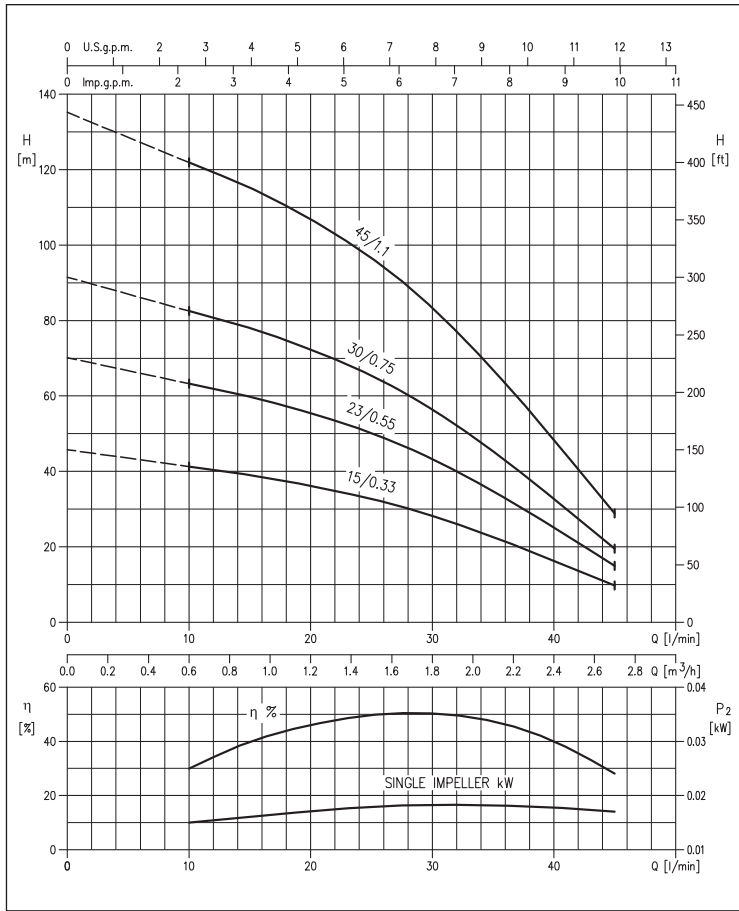
in AISI 304

PERFORMANCE TABLE

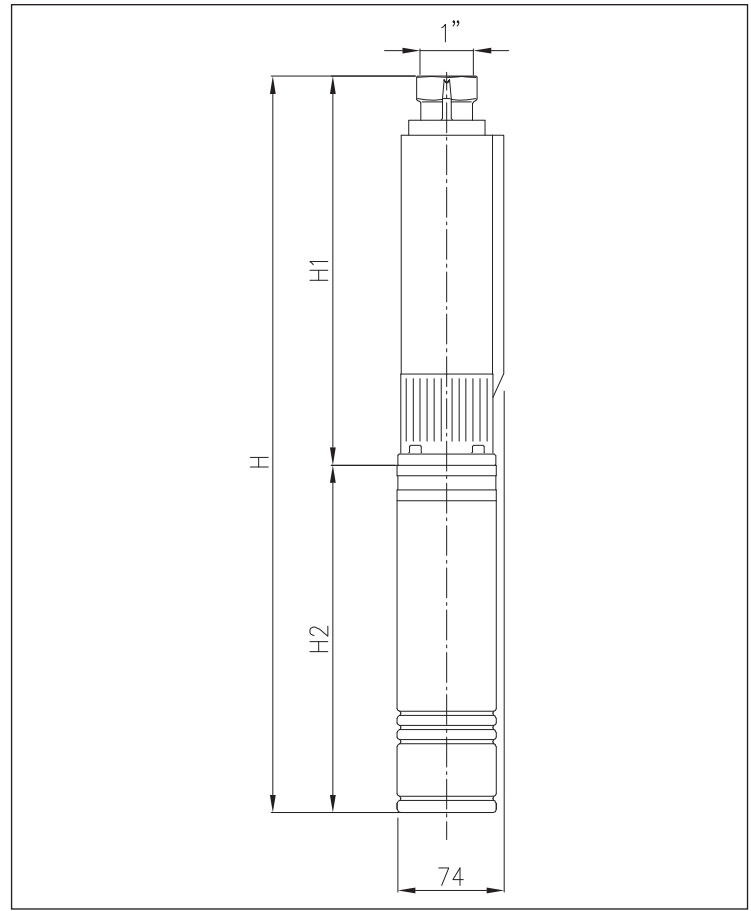
Model	Motor size	P ₂		Q=Flow rate								
		[HP]	[kW]	l/min m ³ /h	10	15	20	25	30	35	40	45
					0,6	0,9	1,2	1,5	1,8	2,1	2,4	2,7
					H=Head [m]							
SB3-15	3"	0,5	0,37	41,5	39,0	36,2	32,7	28,2	22,7	16,5	9,8	
SB3-23	3"	0,75	0,55	63,5	60,0	55,5	50,0	43,5	34,7	25,1	15,0	
SB3-30	3"	1	0,75	82,5	78,0	72,5	65,5	56,5	45,5	32,7	19,5	
SB3-45	3"	1,5	1,1	122,0	115,0	107,0	96,5	83,5	67,0	48,5	28,8	

PERFORMANCE CURVES

(according to ISO 9906 Attachment A)



DIMENSIONS



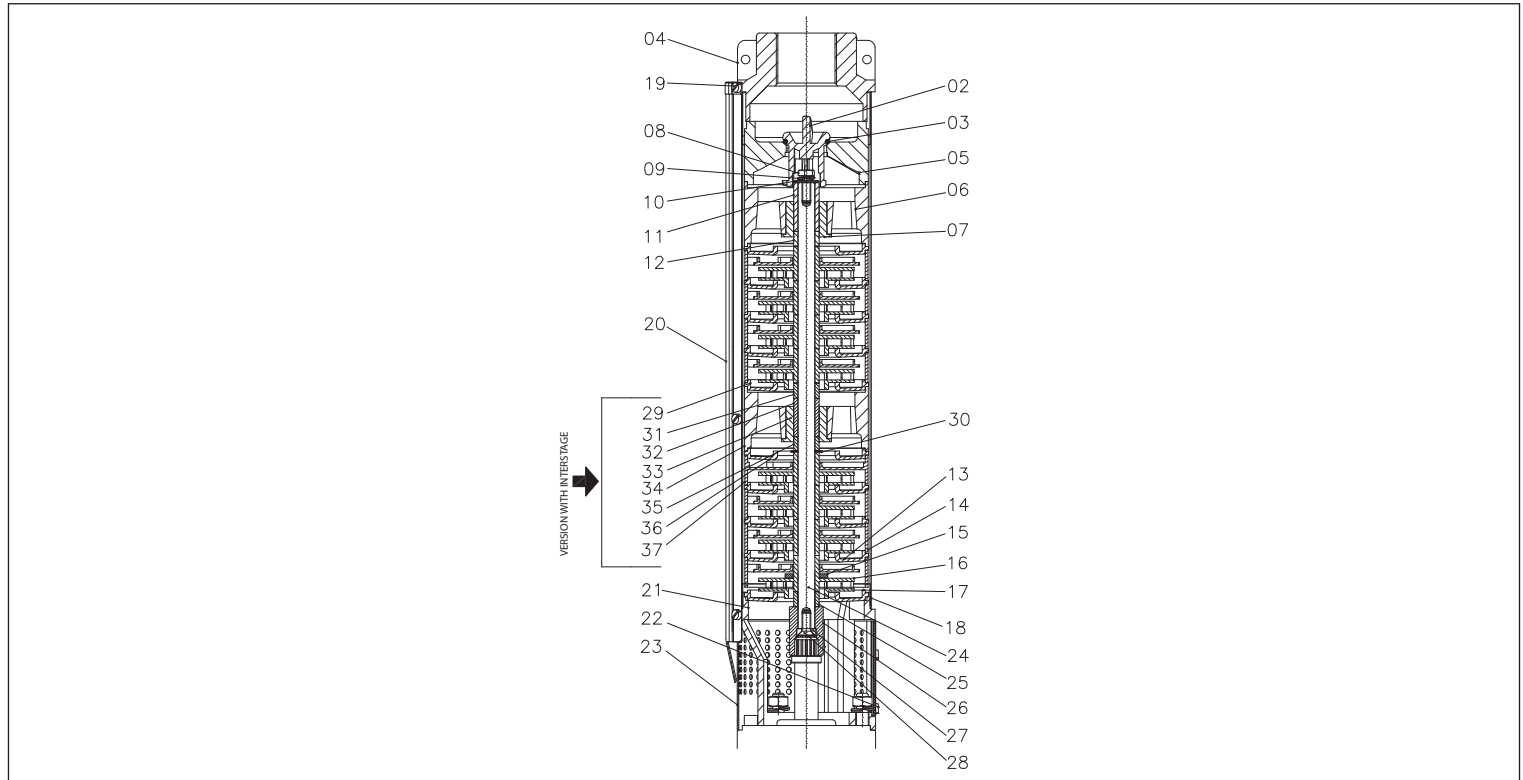
DIMENSIONS TABLE

Model	P ₂		Pump without motor H1 [mm]	Pump + single phase motor		Pump + three phase motor		Pump weight [kg]	Pump weight+motor	
	[HP]	[kW]		H2 [mm]	H [mm]	H2 [mm]	H [mm]		Single phase [kg]	Three phase [kg]
SB3-15	0,5	0,37	580	377	957	377	957	3,3	9,3	9,3
SB3-23	0,75	0,55	780	397	1177	377	1157	4,4	10,8	10,5
SB3-30	1	0,75	1000	416	4116	397	1397	5,6	12,4	12,0
SB3-45	1,5	1,1	1380	-	-	416	1796	7,6	-	14,4

3" SUBMERSED CENTRIFUGAL ELECTRIC PUMPS

in AISI 304

SECTIONAL VIEW



MATERIALS TABLE

Ref.	Name	Material	Ref.	Name	Material
2	Valve	POM Polyacetalic resin	21	Suction inlet	EN 1.4301 (AISI 304)
3	O-Ring	NBR	22	Screw	EN 1.4301 (AISI 304)
4	Discharge inlet	EN 1.4301 (AISI 304)	23	Filter	EN 1.4016 (AISI 430)
5	Valve seat	PPO mod. + G.F.	24	Shaft	EN 1.4105 (AISI 430F)
6	Bearing seat	PPO mod. + G.F.	25	Spacer	PPO mod. + G.F.
7	Bearing	PUR Polyurethane	26	Joint	EN 1.4401 (AISI 316)
8	Screw	EN 1.4301 (AISI 304)	27	Washer	EN 1.4401 (AISI 316)
9	Washer	EN 1.4301 (AISI 304)	28	Screw	EN 1.4301 (AISI 304)
10	Washer	EN 1.4401 (AISI 316)	29	Nozzle disc	POM Polyacetalic resin
11	Shaft casing (bearing)	EN 1.4401 (AISI 316)	30	Adjuster ring	EN 1.4301 (AISI 304)
12	Spacer	PPO mod. + G.F.	31	Spacer	PPO mod. + G.F.
13	Nozzle disc	POM Polyacetalic resin	32	Shaft casing (bearing)	EN 1.4401 (AISI 316)
14	Nozzle	POM Polyacetalic resin	33	Bearing	PUR Polyurethane
15	Washer	EN 1.4301 (AISI 304)	34	Bearing seat	PPO mod. + G.F.
16	Impeller	PPO mod. + G.F.	35	Spacer	PPO mod. + G.F.
17	Nozzle disc	POM Polyacetalic resin	36	Nozzle disc	POM Polyacetalic resin
18	External casing	EN 1.4301 (AISI 304)	37	Nozzle	POM Polyacetalic resin
19	Screw	EN 1.4301 (AISI 304)			

ELECTRIC DATA TABLE

Model	P ₂		P ₁	Voltage	IN	IA	Efficiency	Power factor	Ts/T	Single phase Capacitor µF
	[HP]	[kW]	[kW]	[V]	[A]	[A]	[%]	n		
Single phase	0,5	0,37	0,72	230	3,75	8,8	51	0,96	0,58	16
	0,75	0,55	1	230	4,5	12,2	55	0,98	0,54	20
	1	0,75	1,31	230	5,85	14,5	57	0,98	0,55	25
Three phase	0,5	0,37	0,72	400	2	8	51	0,71	2,1	-
	0,75	0,55	0,98	400	2,1	9,1	56	0,75	2	-
	1	0,75	1,19	400	2,5	11,7	63	0,75	2	-
	1,5	1,1	1,75	400	3,2	14	63	0,75	2	-