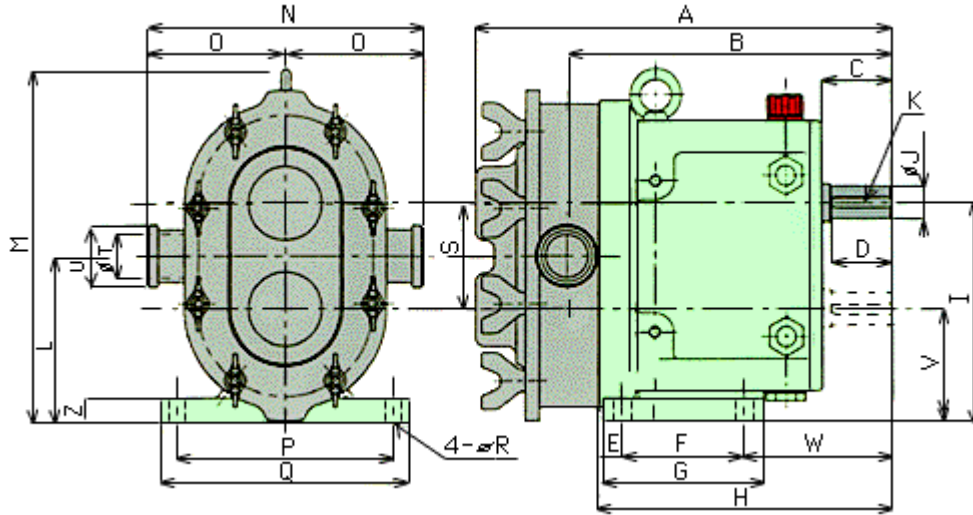


NAKAKIN

DIMENSIONAL DRAWING / TABLE FOR JM (O) SERIES



※Standard position of the drive shaft is upper. However lower shaft is also available upon request.

Model	JM(O) 2.4	JM(O) 10	JM(O) 16	JM(O) 25	JM(O) 40	JM(O) 55	JM(O) 125	JM(O) 160,200	JM(O) 300	
A	238	323	323	336	355	407	437	566	853	
B	195	249	246	263	276	322.5	345	440.5	695	
C	34	62	60	58	58	63	63	75	110	
D	30	50	50	50	50	54	54	70	100	
E	23	15	15	18	18	30	30	25	85	
F	75	80	80	99	99	115	115	198	265	
G	95	108	108	129	129	155	155	238	335	
H	183	218	218	237	237	295	295	388	617	
I	100	140	140	175	175	243	243	314	400	
J	18	22	22	26	26	36	36	55	70	
K	Width	6	6	6	8	8	10	10	16	22
	Depth	3.5	3.5	3.5	4	4	5	5	6	9
L	76	107.5	107.5	133	133	185.5	185.5	237	307.5	
M	-	237	237	282	382	380	380	506	667	
N	167	180	180	217	217	270	270	380	560	
O	83.5	90	90	108.5	108.5	135	135	190	280	

P	132	150	150	174	174	230	230	280	370
Q	154	174	174	198	198	260	260	320	420
R	9	11	11	11	11	14	14	18	23
S	48	65	65	84	84	115	115	154	185
T	19	24	30	36	47	47	60	96	150
U	1 ^s	11/2 ^s	11/2 ^s	11/2 ^s	2 ^s	2 ^s	21/2 ^s	4 ^s	6 ^s
V	52	75	75	91	91	128	128	160	215
W	85	123	123	120	120	150	150	165	267
Z	11	18	18	20	20	23	23	23	30
Weight	15kg	27.6kg	28kg	42kg	45kg	85.7kg	94.4kg	140kg	420kg