



200 Size Hygienic Stainless Steel FIP Pump



Hoogeindsestraat 5
 NL - 5447 PD Rijkevoort
 Nederland
 T : +31 (0) 485 - 371318
 F : +31 (0) 485 - 371918
 info@pompentechniek.nl
 www.pompentechniek.nl

28400 Series Hygienic Stainless Steel Pedestal Pump

Features

- Self primes from dry up to 5.0 metres
- Flows up to 200 litres per minute
- Pressure up to 4.0 bar
- Handles soft solids - max. 16mm diameter
- Certified to US 3A Standard 02-09
- Clean-In-Place (CIP) or easy strip clean
- Handles viscosities up to 50,000 centiPoise
- Minimal shear to thixotropic fluids
- Easy to service and maintain



Typical Applications

- Foods, sauces, doughs, preserves, liquid egg, meat pastes
- Dairy products, milk, cream, yoghurt, cheeses
- Cosmetics, toothpaste, shampoos, soaps
- Pharmaceutical creams & lotions
- Wines, beers, soft drinks, fruit juices & syrups
- Ingredients unloading and transfer
- Tank filling and emptying
- Recirculation and mixing
- Portion and container filling
- Brine injection
- Sampling, filtration and more

Specifications

Seal : Carbon / Ceramic mechanical face seal
 Tungsten Carbide / Ceramic hard faced seal
 Flushed options for crystallising fluids

Seal Elastomer : Food grade Nitrile

Pump Head : Stainless steel 316, machined interior and electropolished exterior finish

End Cover : Stainless steel 316 grade

Shaft : Stainless steel 316 grade

Bearings : Greased ball bearings

Bearing Housing : Epoxy coated cast iron

Ports :			
1½"	Tri-Clamp		28400-1xxx
38mm	IDF/ISS		28400-3xxx
1½"	RJT to BS1864		28400-4xxx
1½"	3A Bevel Seat		28400-5xxx
40mm	DIN 11851		28400-6xxx
38mm	SMS 1145		28400-7xxx

Model Range

Weight : 9.1kg

Pressure options	Medium - Max 2.5 bar		High - Max 4.0 bar		
	Elastomer option	3A Neoprene	E.P.D.M.	3A Neoprene	E.P.D.M.
Temperature range	4°C to 65°C		0°C to 120°C	4°C to 65°C	0°C to 120°C
Mechanical Seal Options					
Carbon/Ceramic	28400-x115		28400-x112	28400-x125	28400-x122
Tungsten Carbide/Ceramic hard faced	28400-x215			28400-x225	
Flushed Mechanical Seal					
Tungsten Carbide/Ceramic hard faced	28400-x715			28400-x725	
Carbon/Ceramic	28400-x915			28400-x925	

For models not listed above, consult distributor or factory, 'x' Substitute port code from table above

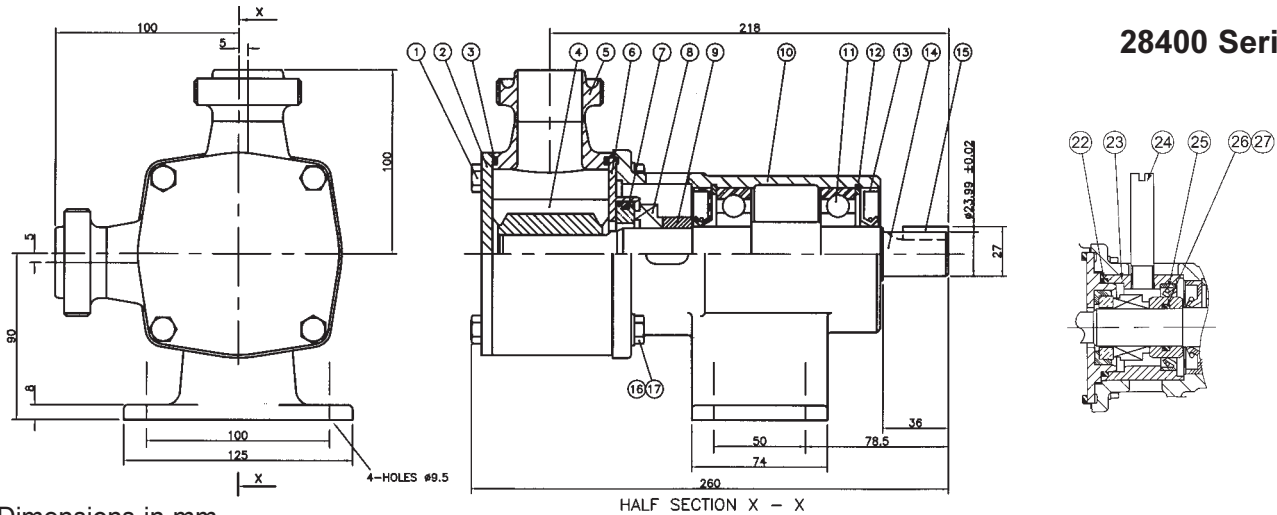
Note : it is not recommended to start the pump at extremes of the temperature range, impeller damage may occur

For Installation, Operating, Maintenance and Safety Instructions refer to form 43001-0543

⚠ WARNING Explosion hazard. Do not pump gasoline, solvents, thinners or other flammable liquids. To do so can cause an explosion resulting in injury or death.

⚠ WARNING Injury hazard. Exposed pulleys and belts can cause injury. Install shield around pulleys and belts. Stay clear while machinery is operating.

28400 Series



Dimensions in mm

For performance data refer to the 200 size flexible impeller pump performance curves

Parts List

Key	Description	Qty	Part Number
1	Screw	4	X3001-207F
2	Endcover	1	28405-0020
3	O'Ring *	2	See right
4	Impeller*	1	See right
5	Body	1	See right
6	Wearplate	1	28436-0000
7 / 8	Seal Assembly *	1	See right
9	Seal Spacer	1	28417-0000
10	Bearing Housing	1	28403-0000
11	Bearing	2	SP2601-28
12	Retaining Ring	2	SP1701-283
13	Lip seal (Bearing Housing)	2	SP2701-0911
14	Shaft	1	28407-0000
15	Key	1	X4000-487A
16	Washer	4	X3080-101K
17	Screw	4	X3001-209F
22	O-Ring	1	X4020-261A
23	Seal Housing	1	28412-0000
24	Tube	2	21844
25	Seal	1	SP2701-0915
26	O-Ring	1	X4020-227A
27	Seal Spacer	1	28417-0001

Parts marked * Contained in service kit

Spare Parts & Service Kits

Pressure Rating		Medium	High
3	O-Ring	Nitrile X4020-399A	X4020-399A
4	Impeller	3A Neoprene 14346-0005B	8983-0005B
		E.P.D.M. 14346-0002B	8983-0002B
5	Body	Tri-Clamp 28404-1000	28404-1000
		IDF/ISS 28404-3000	28404-3000
		RJT 28404-4000	28404-4000
		Bevel Seat 28404-5000	28404-5000
		DIN 28404-6000	28404-6000
		SMS 28404-7000	28404-7000
7 / 8	Seals	Std Mech. 28431-0103B	28431-0103B
		Hard Faced 28431-0203B	28431-0203B
Service Kit		3A Neoprene SK378-0115	SK378-0125
		E.P.D.M.	

Models with Neoprene and E.P.D.M. impellers use Nitrile elastomers on seals and O-rings.
NOTE:- Service Kits contain standard mechanical seals. For hard faced seals, order parts separately.

Other Available Options

Standard head kits, for close coupling to standard IEC motors.

Jabsco



ITT Industries

USA

Jabsco
1485 Dale Way
Costa Mesa
CA 92628-2158

Tel : +1 714 545 8251
Fax : +1 714 957 0609

UK

Jabsco
Bingley Road
Hoddesdon
Hertfordshire, EN11 0BU

Tel : +44 (0) 1992 450 145
Fax : +44 (0) 1992 467 132

GERMANY

Jabsco GmbH
Oststraße 28
22844 Norderstedt

Tel : +49 (0) 40 53 53 73 0
Fax : +49 (0) 40 53 53 73 11