

Progressive Cavity Pump



Hoogindsestraat 5
NL - 5447 PD Rijkevoort
Nederland
T : +31 (0) 485 - 371318
F : +31 (0) 485 - 371918
info@pompechniek.nl
www.pompechniek.nl

I Application

The NTE TUB pumps present compact and robust progressive cavity pumps designed for the thermovinification process in the wine-making industry.

I Operating principle

Rotation and friction between the rotor and the stator creates vacuum at the inlet area, thus, promoting the entry of the product into the pump. The connecting rod is supplied with an auger that easily delivers grape mash to the rotor and stator.

I Design and features

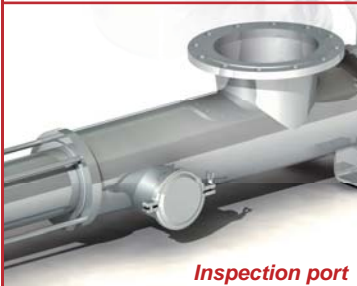
Close-coupled design.
Pump casing with an eccentric inspection port.
Connecting rod with an auger.
Inlet flange PN10 DIN2632.
Eccentric discharge connection with PN10 DIN2632 flange.
Parallel shaft gear unit.
Motor: 3 ph 400/690 V, 50 Hz, IP-55.
Red painted RAL 3003.

I Materials

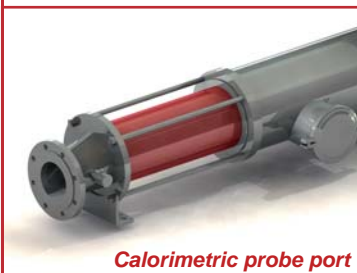
Parts in contact with the product	AISI 304 (1.4301)
Lantern	Carbon steel
Stator	NBR (special composition for this application)
Sealing	PTFE coated packing gland
Surface finish	blasted

I Options

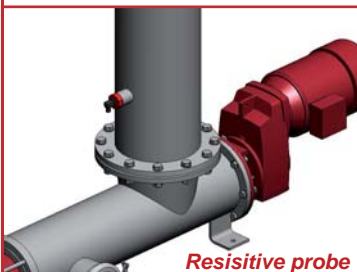
Resistive probe.
Calorimetric probe.
Remote control.
Discharge connections: Garolla, Macon, etc.



Inspection port



Calorimetric probe port

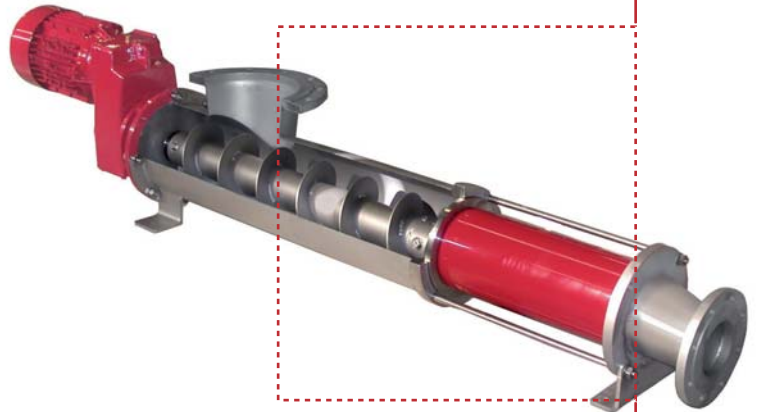


Resistive probe



I Technical specifications

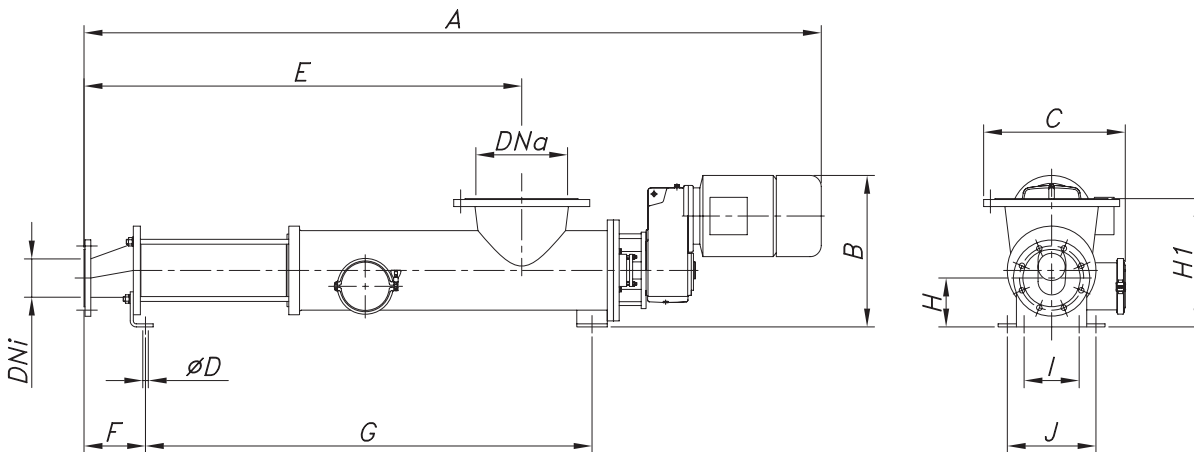
Max. flow	55 m ³ /h	242 US GPM
Max. working pressure	4 bar	58 PSI
Max. working temperature	85 °C	185 °F
Speed	175 rpm	



PUMP TYPE	Flow* Tn/h	Pressure bar	Speed rpm	Power kW	Weight kg
NTE 90 TUB	25 – 30	max.4	175	5,5	265
NTE 100 TUB	35 - 40		175	9,2	290
NTE 120 TUB	45 – 55		160	11	420

(1) nominal flow for grapes at 2 - 4 bar

I General dimensions



PUMP TYPE	DN _a	DN _i	A	B	C	D	E	F	G	H	H ₁	I	J	CODE
NTE 90 TUB	300	125	2420	500	465	18	1432	201	1461	160	420	180	290	D4509-0917505516
NTE 100 TUB	300	150	2470	500	465		1476	201	1505	155	420	180		D4510-0917509216
NTE 120 TUB	350	150	2750	590	500		1656	250	1636	172	465	200		D4512-0916011017



The information contained in this brochure is for guidance only. We reserve the right to modify any material or feature without notice in advance. For further information, please, consult our web site. www.inoxpa.com



F10NTE TUB.2.EN-0209