

Estampinox Centrifugal Pump



Hoogeindsestraat 5
NL - 5447 PD Rijkevoort
Nederland
T : +31 (0) 485 - 371318
F : +31 (0) 485 - 371918
info@pompechniek.nl
www.pompechniek.nl



I Applications

The Estampinox EFN pump is a centrifugal stainless-steel pump suitable for motor assembly according to the USA NEMA standards.

It is designed to cater for the needs of all the auxiliary services in the food-processing, chemical, pharmaceutical, and wine-making industries, among others.

I Operating principles

Housed inside the casing, the impeller rotates in conjunction with the pump shaft. With this arrangement, the impeller blades convey energy to the fluid in the form of kinetic energy and pressure energy.

This pump is not reversible by simple reversal of the direction of rotation. The direction of rotation is clockwise when the pump is viewed from the rear side of the motor.

I Design and features

Casing manufactured with cold-formed plate.

Clamp connections (standard).

Open impeller manufactured with stainless steel cold-formed plate or investment casting (according to model).

Inside mechanical seal.

Simple parts and easy maintenance.



I Materials

Parts in contact with pumped media:

Gaskets (standard):

Mechanical seal (standard):

Lantern:

Surface finish:

AISI 316L

VMP (Silicone)

Cer/ C /NBR

GG-15

Electropolished

I Options

Seal in C/St.St TgC/TgC.

Gaskets in EPDM, FPM (Viton®) or PTFE.

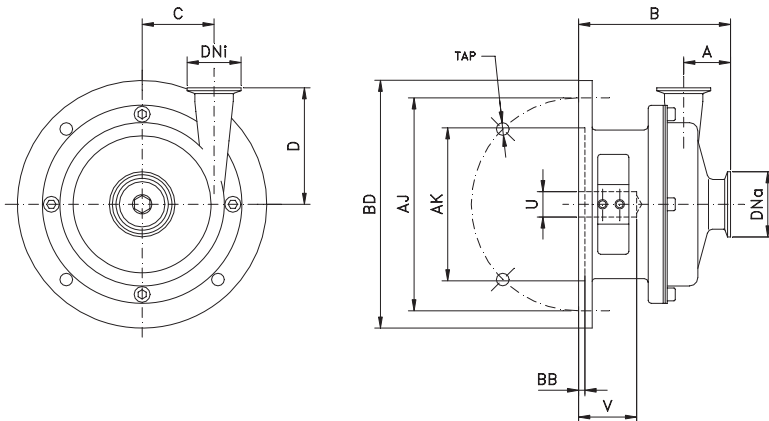
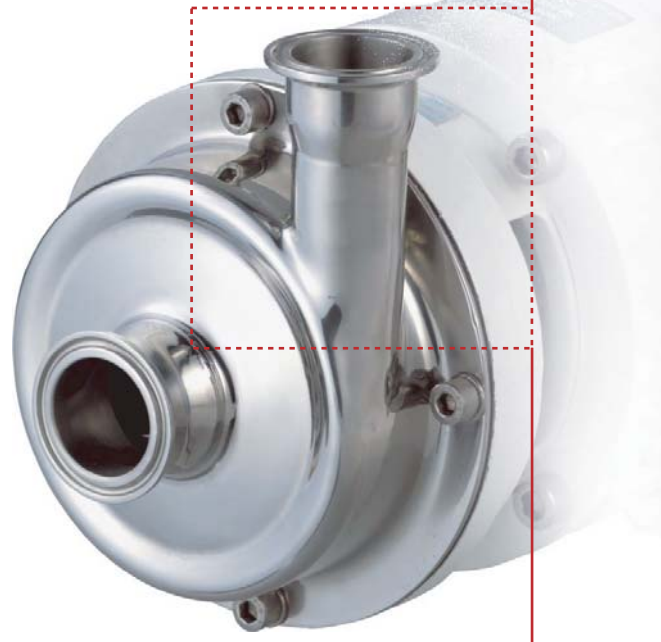
Trolley and / or electric panel.

Stainless steel motor.



I Technical specifications

Max. flow	65 m ³ /h / 286 GPM
Max. head	45 mcl / 148 ft
Max. suction pressure	2 bar / 29 PSI
Max. working temp.	90 °C / 194° F
Max. speed	3500 rpm



PUMP TYPE	Motor size	GAS/BSP		A	B	C	D	U	V	AJ	AK	BB	BD	TAP
		Ra	Ri											
EFN-2003	A 56C	1"	1"	52	167	36	106	15,88	55	149,2	114,3	4	168	11
	B 143/145TC							22,23	56					
EF2107	A 56C	1½"	1½"	54	159	50	105	15,88	55	184,2	215,9	6	230	14
	B 143/145TC							22,23	56					
EFN-2222	B 143/145TC	1½"	1½"	54	166	66	122	28,58	75	184,2	215,9	6	230	14
EFN-2222A	C 182/184TC				185									
EFN-2340	C 182/184TC	2"	2"	54	190	92	156	34,93	88	184,2	215,9	6	230	14
EFN-2340B	D 213/215TC				208									
EFN-2355	C 182/184TC	2"	2"	54	190	92	156	28,58	75	184,2	215,9	6	230	14
EFN-2355A	D 213/215TC				208									



The information contained in this brochure is for guidance only. We reserve the right to modify any material or feature without notice in advance. For further information, please, consult our web site. www.inoxpa.com

