

SERIE / TYPE

## ABRM

Elettropompe autoadescanti multistadio ad alta prevalenza  
*Multi-stage high pressure selfpriming electric pumps*

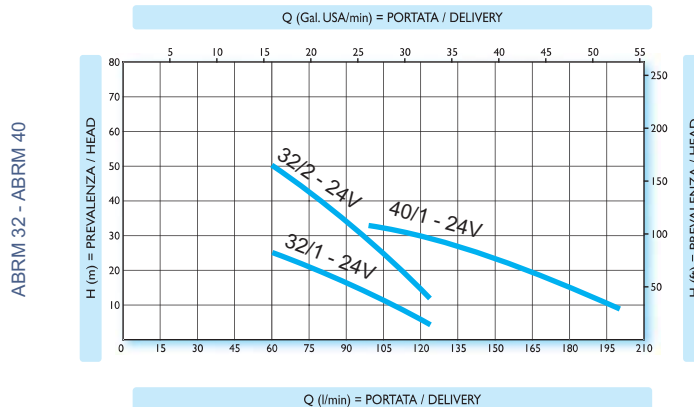
Elettropompe autoadescanti in bronzo a giranti stellari multistadio ad alta e altissima prevalenza largamente utilizzate nel settore nautico per i servizi di sentine, antincendio, lavaggio catene, travaso di gasolio, ecc.

*Multi-stage high pressure selfpriming electric pumps made of bronze fitted with radial impeller. These electric pumps are widely used in the nautical sector to empty bilges, to supply anti-fire equipment, to wash chains and for diesel-oil transfer*

### PRESTAZIONI

### PERFORMANCES

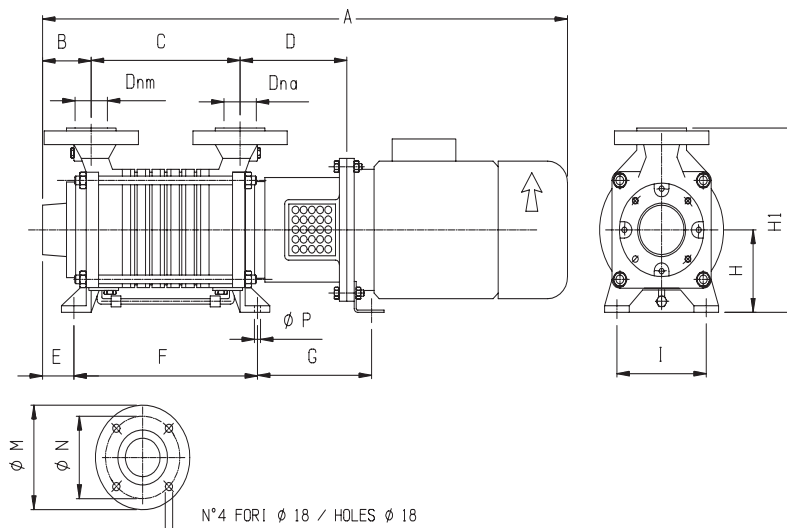
#### CORRENTE CONTINUA (C.C.) / DIRECT CURRENT (D.C.)



Tipo Type	Volt Voltage (V)	Potenza Power (HP)	(KW)	Amperaggio max. Max. amperage (A)	Giri/min. RPM	Aspirazione max. Max. inlet (m)	Portata max. Max. delivery (l/min)	Prevalenza max. Max. head (m)
ABRM 32/1	24 V	1,5	1,1	52	1500	9	150	25
ABRM 32/2	24 V	2	1,5	90	1500	9	150	50
ABRM 40/1	24 V	2	1,5	90	1500	9	220	38

### DIMENSIONI E PESI

### DIMENSIONS AND WEIGHT



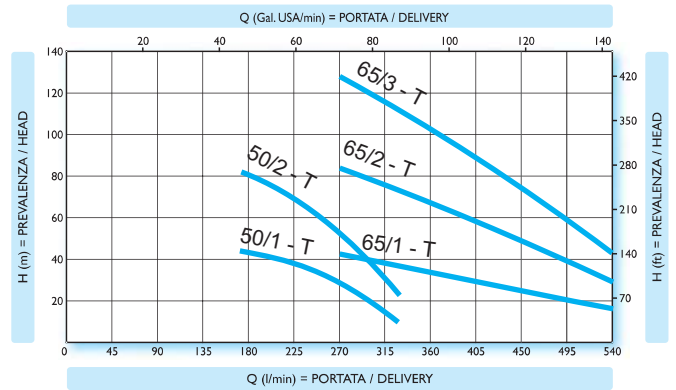
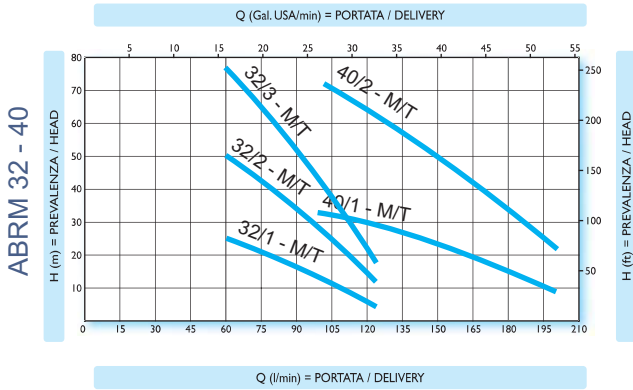
Tipo Type	Voltaggio Voltage	Dna*	Dnm*	A	B	C	D	E	F	G	H	H1	I	$\phi$ N	$\phi$ M	$\phi$ P	Peso Weight Kg
ABRM 32/1	24 V	32	32	690	70	144	165	40	210	170	112	247	135	100	140	12	56
ABRM 32/2	24 V	32	32	730	70	184	165	40	250	170	112	247	135	100	140	12	60
ABRM 40/1	24 V	40	40	785	97	152	226	58	230	197	132	272	155	110	150	12	70

\* Filetto / Thread = BSP-F (Gas)

**PRESTAZIONI**

**PERFORMANCES**

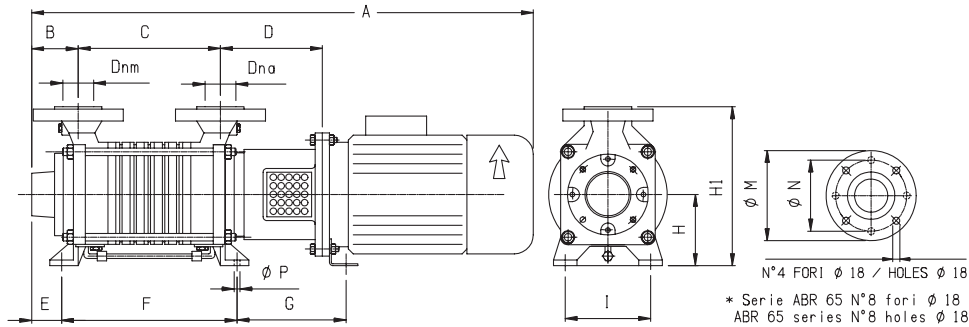
**CORRENTE ALTERNATA (C.A.) / ALTERNATE CURRENT (A.C.)**



Tipo Type	Volt Voltage (V)	Potenza Power		Giri/min. RPM	Aspirazione max. Max. inlet (m)	Portata max. Max. delivery (l/min)	Prevalenza max. Max. head (m)
		(HP)	(KW)				
ABRM 32/1	230 M	1,5	1,1	1500	9	150	25
	230-400 T	1,5	1,1	1500	9	150	25
ABRM 32/2	230 M	2,5	1,8	1500	9	150	50
	230-400 T	2,5	1,8	1500	9	150	50
ABRM 32/3	230 M	4	3	1500	9	150	78
	230-400 T	4	3	1500	9	150	78
ABRM 40/1	230 M	3	2,2	1500	9	220	38
	230-400 T	3	2,2	1500	9	220	38
ABRM 40/2	230 M	5,5	4	1500	9	220	75
	230-400 T	5,5	4	1500	9	220	75
ABRM 50/1	230-400 T	5,5	4	1500	9	400	42
ABRM 50/2	230-400 T	12,5	9,2	1500	9	400	82
ABRM 65/1	230-400 T	10	7,5	1500	9	600	45
ABRM 65/2	230-400 T	20	15	1500	9	600	85
ABRM 65/3	230-400 T	30	22	1500	9	600	130

**DIMENSIONI E PESI**

**DIMENSIONS AND WEIGHT**



Tipo Type	Voltaggio Voltage	Dna*	Dnm*	A	B	C	D	E	F	G	H	H1	I	ØN	ØM	ØP	Peso Weight Kg
ABRM 32/1	CA-AC	32	32	680	70	144	165	40	204	170	112	247	135	100	140	12	40
ABRM 32/2	CA-AC	32	32	720	70	184	165	40	244	170	112	247	135	100	140	12	44
ABRM 32/3	CA-AC	32	32	760	70	224	165	40	284	170	112	247	135	100	140	12	62
ABRM 40/1	CA-AC	40	40	780	97	152	226	60	228	197	132	272	155	110	150	12	58
ABRM 40/2	CA-AC	40	40	840	97	207	226	60	283	197	132	272	155	110	150	12	75
ABRM 50/1	CA-AC	50	50	825	97	171	227	60	251	197	160	325	170	125	165	14	82
ABRM 50/2	CA-AC	50	50	1100	97	246	278	60	328	220	160	325	170	125	165	14	132
ABRM 65/1	CA-AC	65	65	995	117	190	267	110	270	215	180	360	195	145	185	14	125
ABRM 65/2	CA-AC	65	65	1225	117	280	296	110	360	235	180	360	195	145	185	14	202
ABRM 65/3	CA-AC	65	65	1470	117	370	296	110	450	235	180	360	195	145	185	14	240

\* Filetto / Thread = BSP-F (Gas)