

POMPE MID PER MOTORI IDRAULICI MID PUMP TYPE FOR HYDRAULIC MOTORS



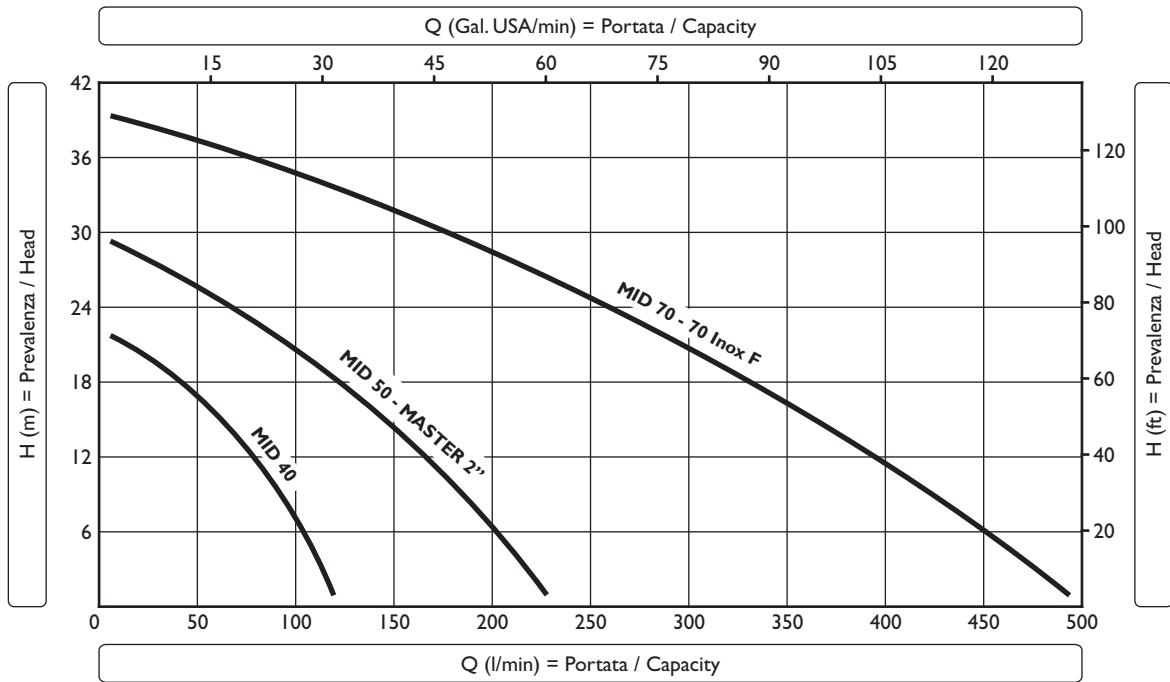
MID 40-50



MID MASTER 2''

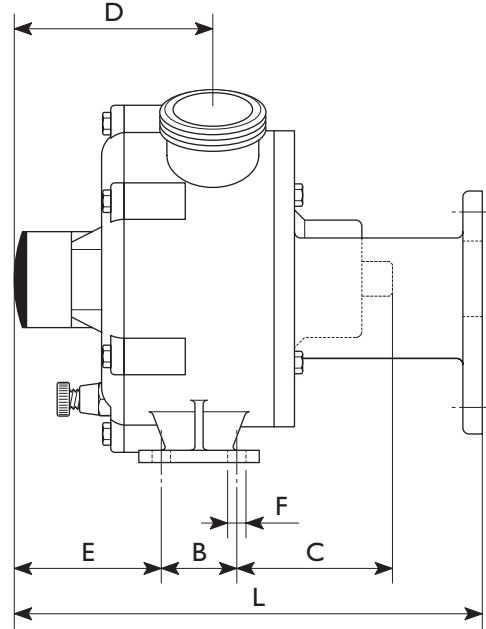
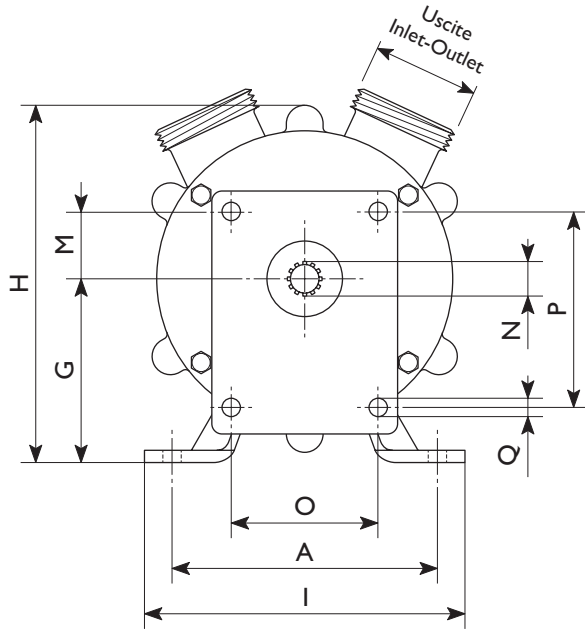


MID 70 Inox

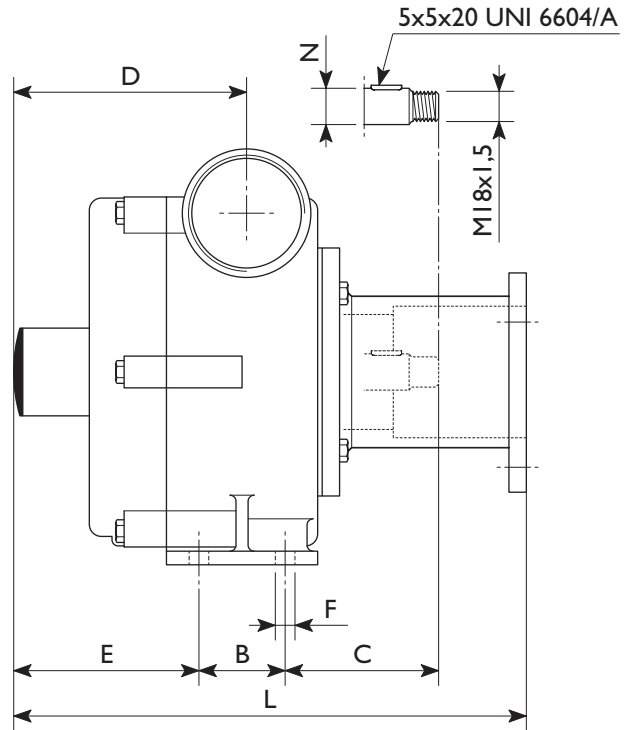
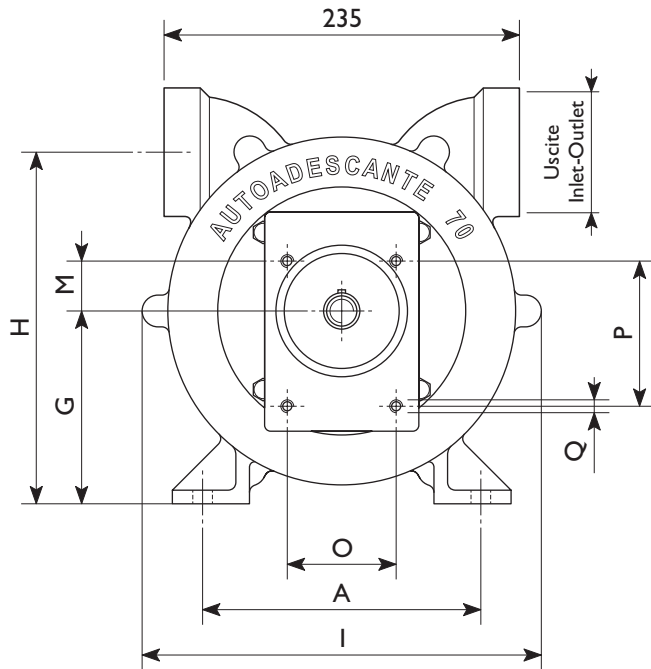


Tipo Type	Codice Code	Materiale Material	Peso Weight	Giri/min Rpm	H (m) = Prevalenza / Head - Q (l/min) = Portata / Capacity										
					0	5	10	12	15	18	22	30	40	H	
MID 40	51134036	Bronzo/Bronze	7,2 kg	1400	120	110	85	80	55	45	0				
MID 50	51135036	Bronzo/Bronze	11,4 kg	1400	230	210	175	155	140	125	85	0			
MID 70	51137036	Bronzo/Bronze	25,5 kg	1400	500	460	415	400	370	330	280	165	0	Q	
MID MASTER 2''	60135039	Inox AISI 316	11,3 kg	1400	230	210	175	155	140	125	85	0			
MID 70 Inox	60137039	Inox AISI 316	21,4 kg	1400	500	460	415	400	370	330	280	165	0		

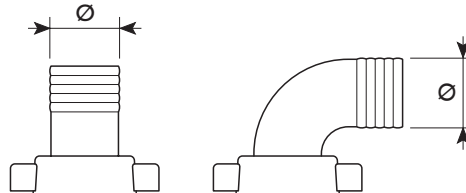
MID 40-50-MASTER 2"



MID 70 - MID 70 Inox



Raccordi
Pipe fittings



Tipo Type	Uscite Inlet-Outlet	Raccordi Pipe fittings	Dimensioni (mm) / Dimensions (mm)														
			A	B	C	D	E	F	G	H	I	L	M	N	O	P	Q
MID 40	BSP-M 1"1/2	Ø40 - Ø45	130	37	78	105	76	Ø9	90	175	157	235	33	Ø16,8 - z14	72	96	Ø9
MID 50	BSP-M 2"	Ø50	160	40	84	125	91	Ø11	120	225	188	265	33	Ø19,8 - z17	72	96	Ø9
MID 70	BSP-F 2"1/2	n.d.	184	57	102	144	110	Ø13	128	231	260	330	33	Ø24	72	96	M8
MID MASTER 2"	BSP-M 2" *	Ø50 **	160	40	85	125	91	Ø11	120	225	188	270	33	Ø19,8 - z17	72	96	Ø9
MID 70 Inox	BSP-M 2"1/2 *	n.d.	184	57	102	144	110	Ø13	128	231	260	330	33	Ø24	72	96	M8

* = Uscite standard BSP (Gas), altre uscite disponibili p.20 / Standard inlet-outlet BSP (Gas), different inlet-outlet are available see p.20

** = Raccordi in acciaio inox o nylon a richiesta / Stainless steel or nylon pipe fittings on request

n.d. = Raccordi non disponibili / Pipe fittings not available