

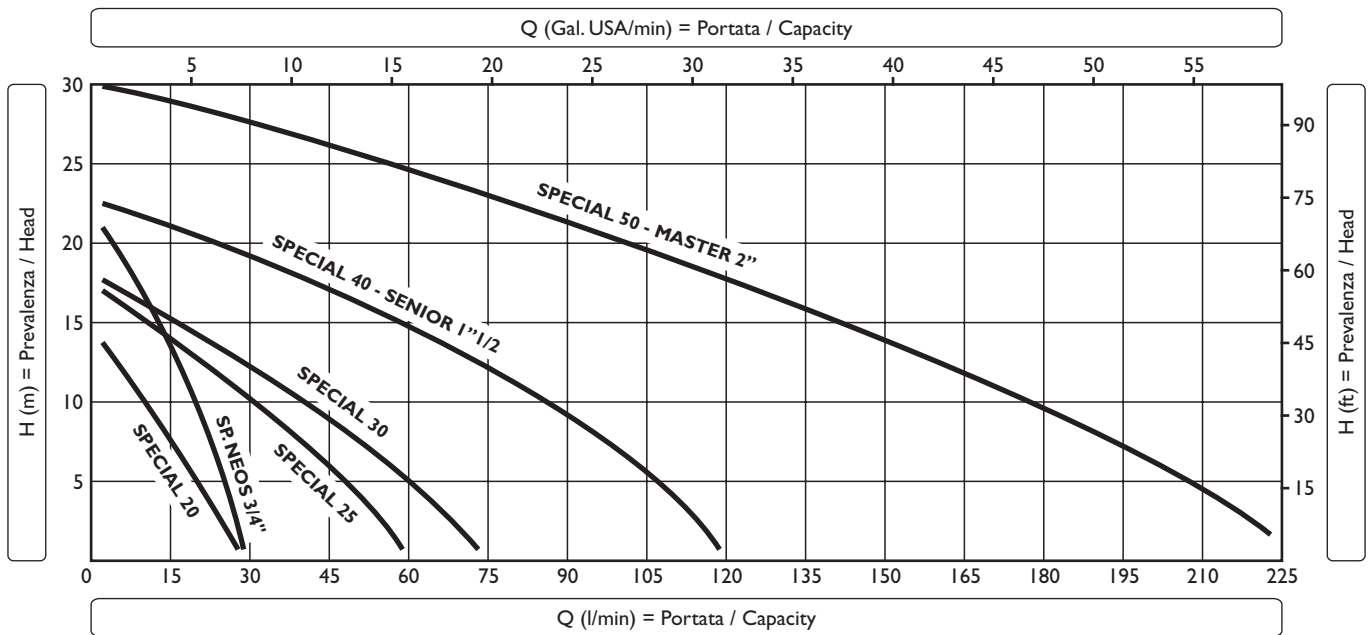
POMPE SPECIAL SPECIAL PUMP TYPE



SPECIAL 20-25-30-40-50

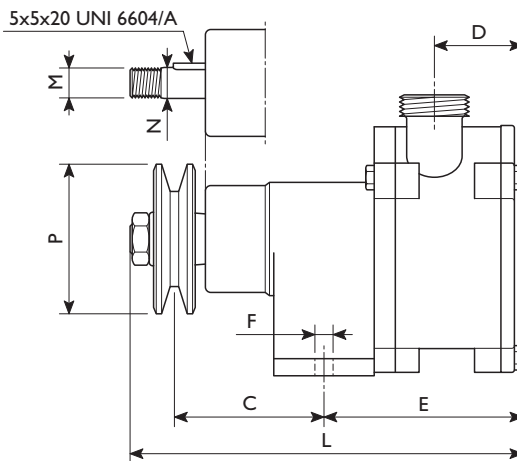
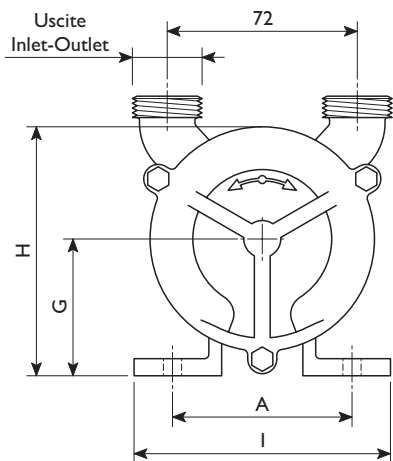


SPECIAL SENIOR 1 1/2-MASTER 2"

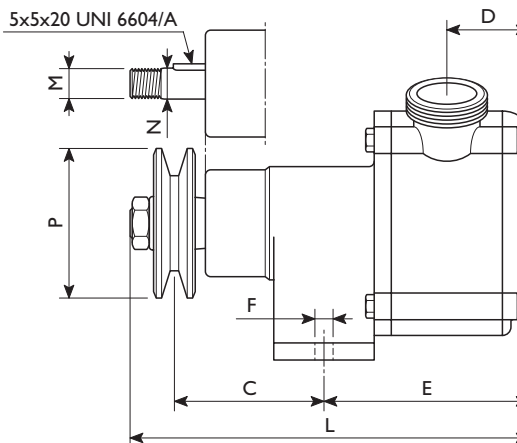
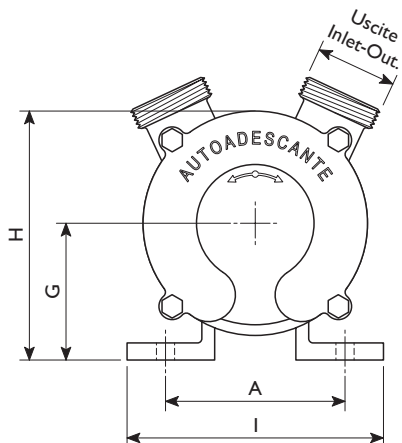


Tipo Type	Codice Code	Materiale Material	Peso Weight	Giri/min Rpm	H (m) = Prevalenza / Head - Q (l/min) = Portata / Capacity																
					0	5	10	12	15	18	22	28	30	H							
SPECIAL 20	51072000	Bronzo/Bronze	2,0 kg	2800	29	20	10	6	0												
SPECIAL 25	51072500	Bronzo/Bronze	2,8 kg	2800	60	50	25	15	8	0											
SPECIAL 30	51073000	Bronzo/Bronze	5,6 kg	1400	75	60	40	30	15	0											
SPECIAL 40	51074000	Bronzo/Bronze	7,3 kg	1400	120	110	85	80	55	45	0										
SPECIAL 50	51075000	Bronzo/Bronze	12,5 kg	1400	230	210	175	155	140	125	85	45	0								
SPECIAL NEOS 3/4"	60070500	Inox AISI 316	1,8 kg	2800	29	23	17	14	13	8	0										
SPECIAL SENIOR 1 1/2	60074000	Inox AISI 316	7,4 kg	1400	120	110	85	80	55	45	0										
SPECIAL MASTER 2"	60075000	Inox AISI 316	12,6 kg	1400	230	210	175	155	140	125	85	45	0								

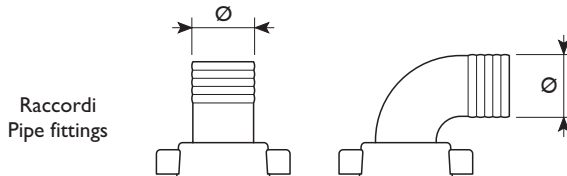
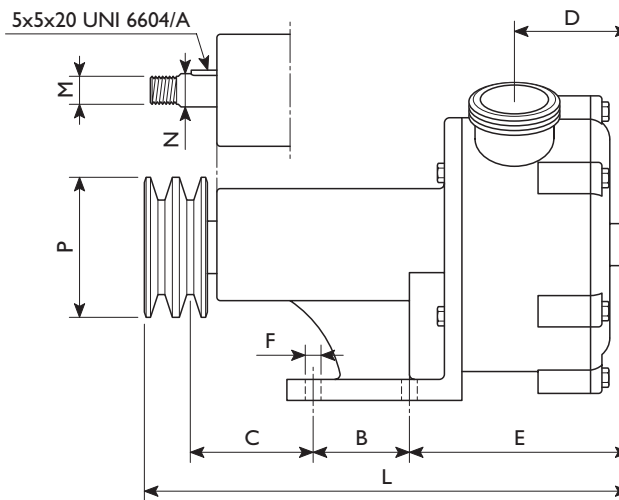
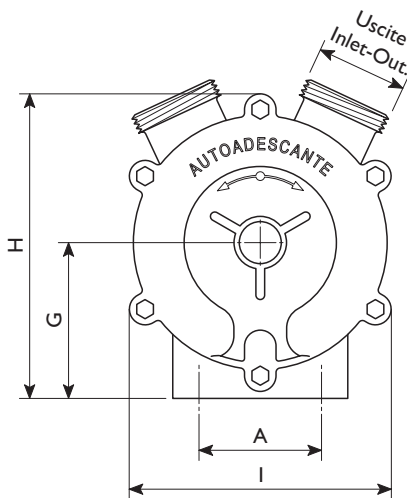
SPECIAL NEOS 3/4"



SPECIAL 20-25



**SPECIAL 30-40-50
SPECIAL SENIOR 1" 1/2
SPECIAL MASTER 2"**



Tipo Type	Uscite Inlet-Outlet	Raccordi Pipe fittings	Dimensioni (mm) / Dimensions (mm)												
			A	B	C	D	E	F	G	H	I	L	M	N	P
SPECIAL 20	BSP-M 3/4"	Ø20	84	-	70	35	81	Ø8.5	56	100	120	172	M14x1.5	Ø14.5	Ø70x1A
SPECIAL 25	BSP-M 1"	Ø25	84	-	70	40	98	Ø8.5	56	108	120	190	M14x1.5	Ø14.5	Ø70x1A
SPECIAL 30	BSP-M 1" 1/4	Ø30 - Ø35	70	55	64	50	103	Ø8.5	89	175	150	254	M16	Ø19	Ø70x1A
SPECIAL 40	BSP-M 1" 1/2	Ø40 - Ø45	70	55	64	67	128	Ø8.5	89	175	150	277	M16	Ø19	Ø80x2A
SPECIAL 50	BSP-M 2"	Ø50	70	55	90	90	160	Ø9	107	210	185	330	M16	Ø19	Ø80x2A
SPECIAL NEOS 3/4"	BSP-M 3/4" *	Ø20 **	84	-	70	34	80	Ø8.5	56	210	185	171	M14x1.5	Ø14.5	Ø70x1A
SPECIAL SENIOR 1" 1/2	BSP-M 1" 1/2 *	Ø40 **	70	55	64	76	138	Ø8.5	89	175	167	287	M16	Ø19	Ø80x2A
SPECIAL MASTER 2"	BSP-M 2" *	Ø50 **	70	55	90	94	165	Ø9	107	210	205	335	M16	Ø19	Ø80x2A

ISO R 52-253