

Serie Type	Serie Type
S/P	MID



Hoogeindsestraat 5
 NL - 5447 PD Rijkevoort
 Nederland
 T : +31 (0) 485 - 371318
 F : +31 (0) 485 - 371918
 info@pompentechniek.nl
 www.pompentechniek.nl



Pompe ad asse nudo (**S/P**)
 Bare shaft pumps (**S/P**)

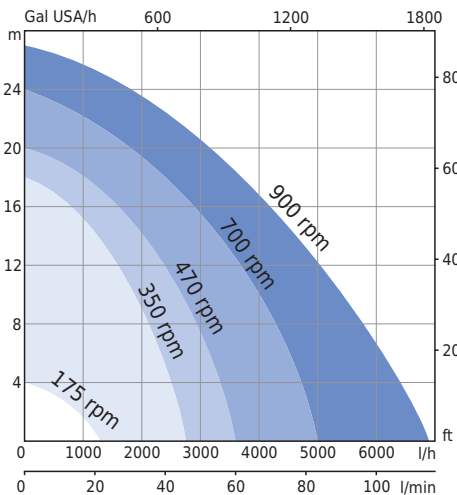


Pompe con motore idraulico orbitale (**MID**)
 Hydraulic orbital motor pumps (**MID**)

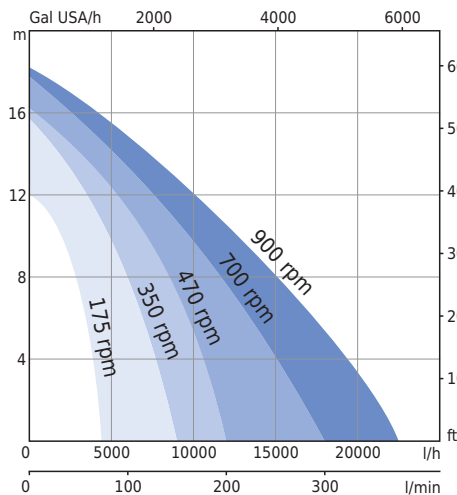
Tipo Type	Peso (S/P - MID) Weight (S/P - MID)	Giri/min Rpm	H (m) = Prevalenza / Head										
			0	4	8	12	16	18	20	24	27		
S/P MINOR 40 MID MINOR 40	5.4 kg - 11.7 kg	min 175	1320	0									
		350	2750	2500	2100	1600	800	0					
		470	3600	3300	2900	2400	1600	1000	0				
		700	5000	4700	4300	3700	3000	2520	1800	0			
		max 900	6900	6200	5760	5040	4200	3660	3200	1800	0		
S/P MAJOR 60 MID MAJOR 60	9.7 kg - 16 kg	min 175	4320	3840	3000	0							
		350	9000	7800	6000	3700	0						
		470	12000	10500	8700	5100	0						
		700	18000	15000	12000	8400	2500	0					
		max 900	22500	19560	15000	11220	3000	0					
S/P MAXI 80 MID MAXI 80	15.7 kg - 22 kg	min 150	12000	10000	7500	0							
		300	24600	22200	18900	12000	0						
		470	36000	34200	30000	24000	12000	0					
		max 600	43800	41400	36000	30000	16000	0					

Q (l/h) = Portata / Capacity

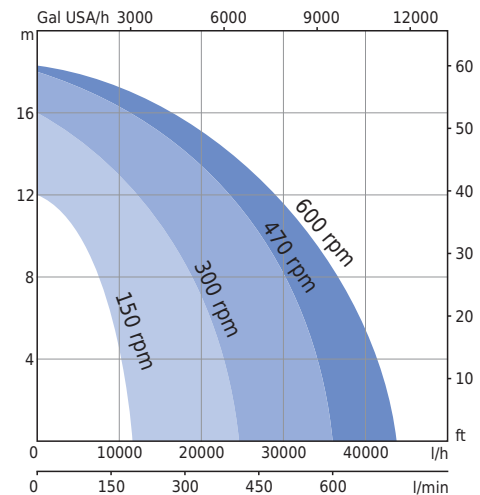
S/P MINOR 40
MID MINOR 40



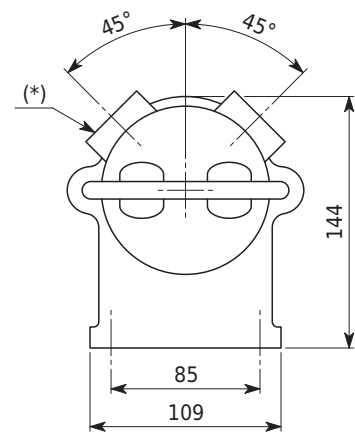
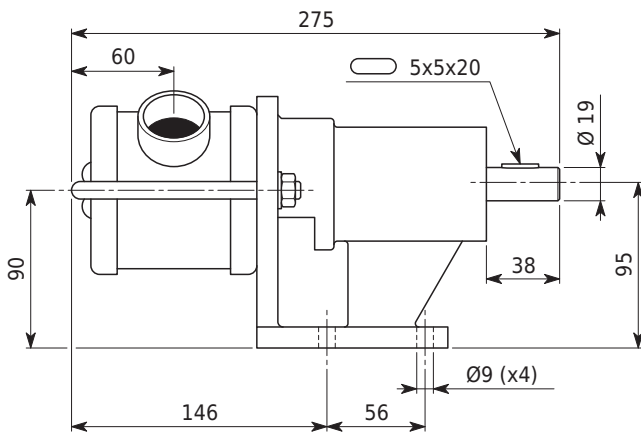
S/P MAJOR 60
MID MAJOR 60



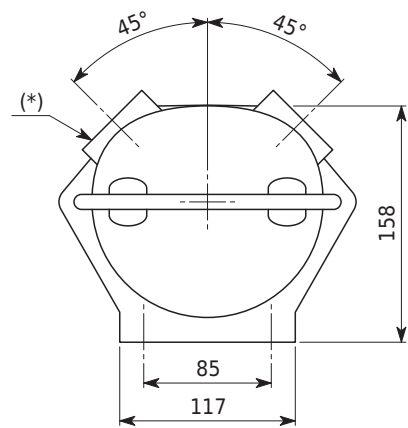
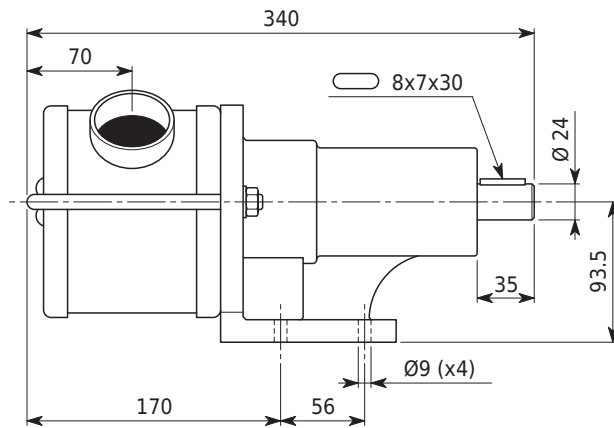
S/P MAXI 80
MID MAXI 80



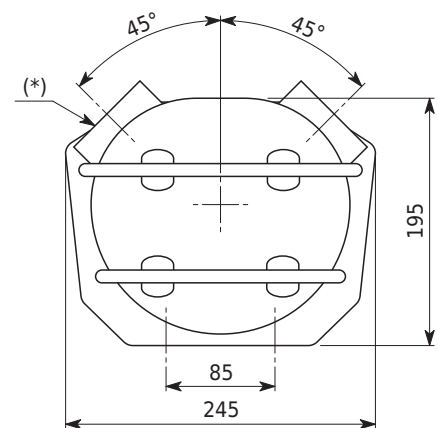
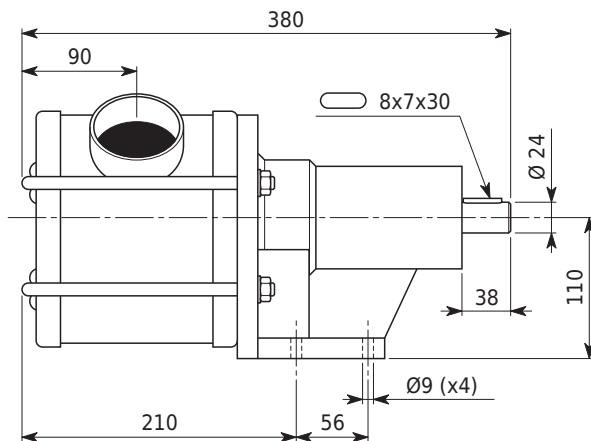
**S/P
MINOR 40**



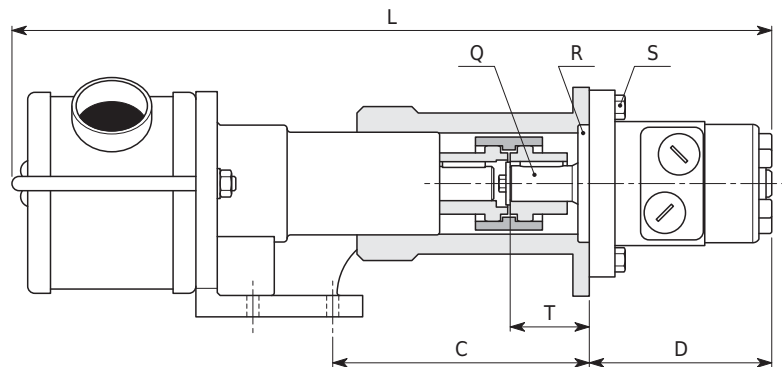
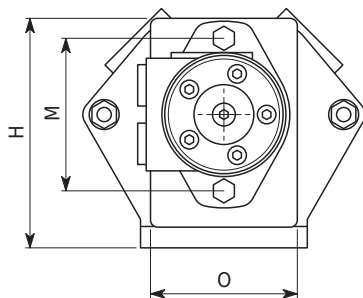
**S/P
MAJOR 60**



**S/P
MAXI 80**



**MID
MINOR 40
MAJOR 60
MAXI 80**



Tipo / Type	C	D	H	L	M	O	Q	R	S	T
MID MINOR 40	142	128	160	478	106	103	Ø25 / 8x7x30	Ø82.5 / 8	M12	55.5
MID MAJOR 60	180	128	160	542	106	103	Ø25 / 8x7x30	Ø82.5 / 8	M12	55.5
MID MAXI 80	185	128	177	575	106	103	Ø25 / 8x7x30	Ø82.5 / 8	M12	55.5

(*) raccordi disponibili p.17 / available pipe fittings p.17