

Immersion pumps

Type IMM 40-50



Usages:

These pumps are suitable for transferring clean liquids containing impurities measuring up to 2-3 mm. The hydraulic components, namely the impeller, scroll and pump body in PBT, allow the pumps to be used with water, emulsions and oily substances with a maximum viscosity of 3° Engler (21 CST).

The temperature of the liquid must not exceed 70° C.

They are usually used on:

Machine tools (milling machines – lathes –drills)

Glass-processing machines (TRI version)

Air-conditioning systems.

They should usually be installed at on a tank, with a capacity in proportion to the flow rate, at about 2 – 3 cm. from the bottom. It is important to check that the maximum level of the liquid in the tank always remains 3 – 4 cm. lower than the flange (see figure).

In cases where the liquid is particularly dirty, the user is recommended to construct the tank in compartments to allow the dirt to deposit before it is stirred up by the pump.

For other usages you are advised to consult our technical office

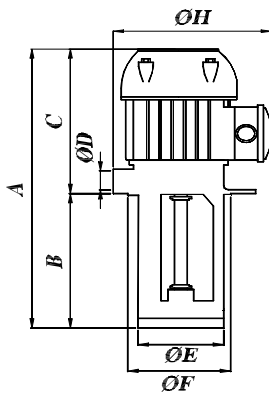
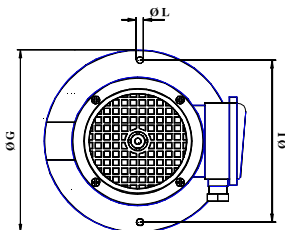


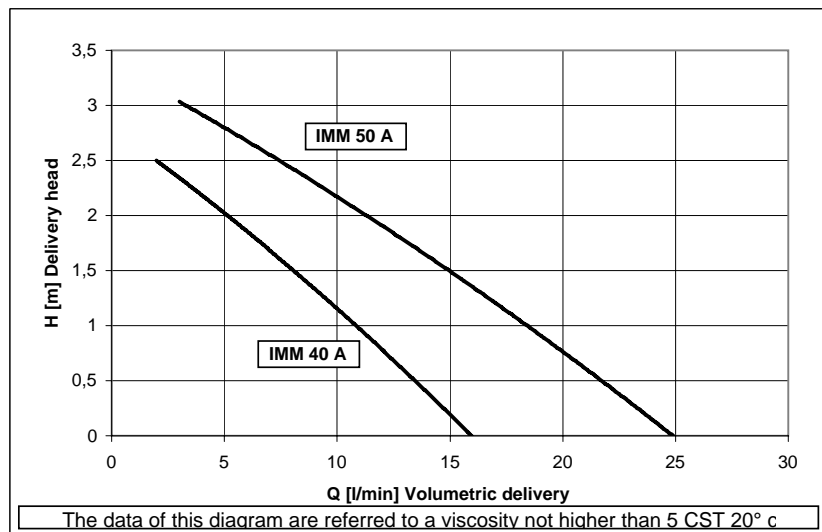
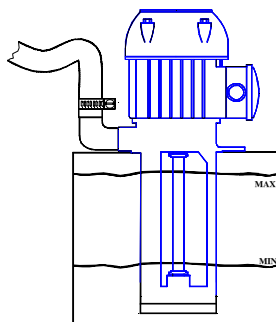
Table of dimesions and weights

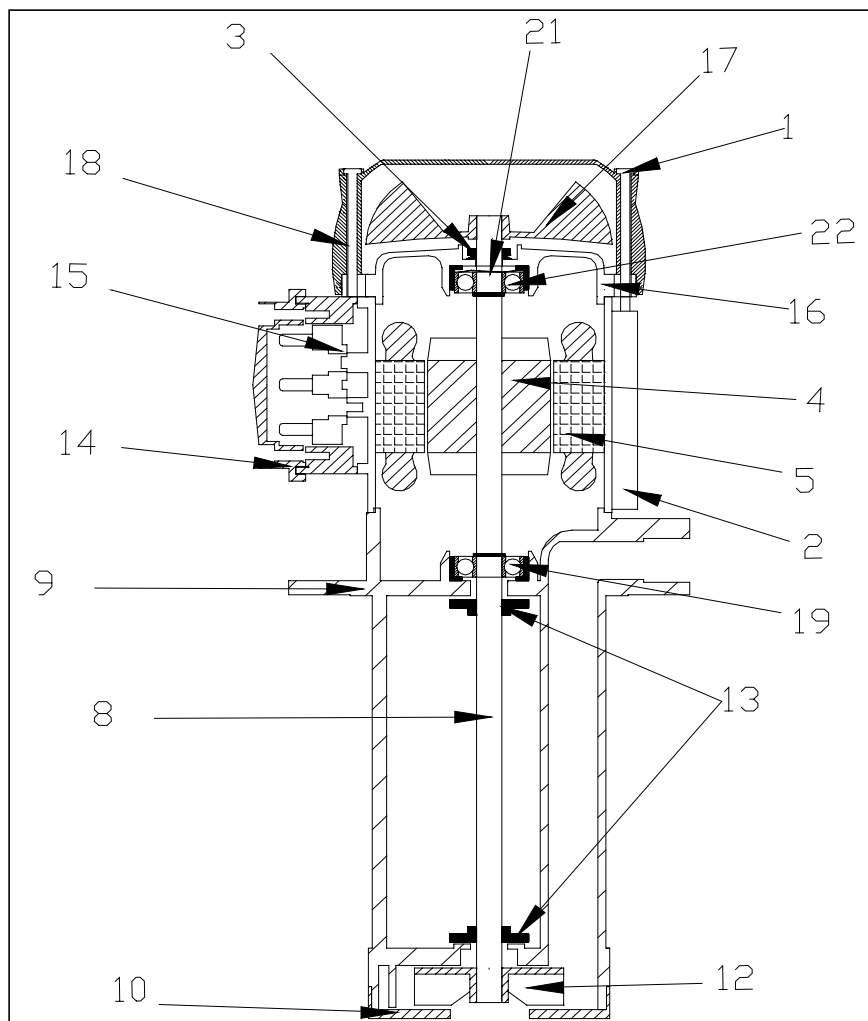
TYPE	A mm	B mm	C mm	ØD	ØE mm	ØF mm	ØG mm	H mm	ØI mm	ØL mm	Kg.
IMM 40	224	80	144	3/8"	78	90	130	140	114	7 N. 2	1,8
	264	120									1,83
	294	150									1,85
	324	180									1,88
IMM 50	224	80	144	3/8"	78	90	130	140	114	7 N. 2	1,8
	264	120									1,83
	294	150									1,85
	324	180									1,88



Electrical features

TYPE	KW. Input	Hz. 50		Hz. 60		
		230/400	254-290/440-500	230/400	208-230/440-460	254-277/440-480
IMM 40	0,08	0,4/0,23	0,35/0,21	0,48/0,28	0,43/0,25	0,4/0,23
IMM 50	0,11	0,52/0,3	0,4/0,23	0,6/0,35	0,56/0,32	0,52/0,3





Type	IMM 40 A	IMM 50 A
Components	Materials	Materials
1 Rod	Steel	Steel
2 Frame	Aluminium	Aluminium
3 V-Ring \varnothing 8	NBR	NBR
4 Rotor		
5 Stator		
8 Shaft	Steel C 40**	Steel C 40**
9 Pump body	PBT	PBT
10 House impeller	PBT	PBT
12 Impeller	Nylon	Nylon
13 Rubber washer	PBT	PBT
14 Terminal box	Nylon	Nylon
15 Terminal block	mm. 40x25 6P	mm. 40x25 6P
16 Non-drive end shield	Nylon	Nylon
17 Fan	Nylon	Nylon
18 Fan cover	Nylon	Nylon
19 Drive end shield	608 2RS	608 2RS
21 Spring ring	\varnothing 22	\varnothing 22
22 Bearing	608 2RS	608 2RS

On request

** Aisi 303