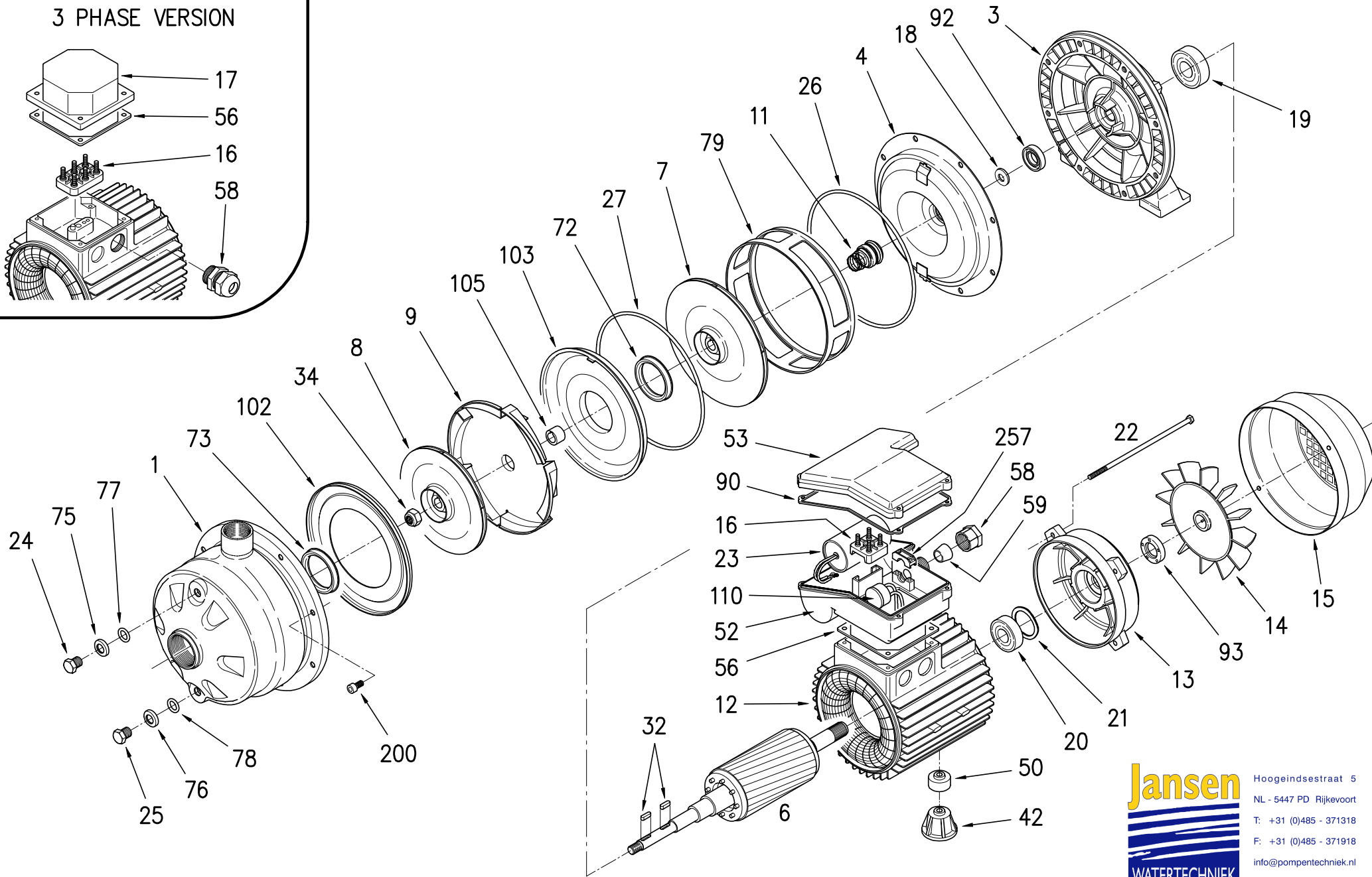
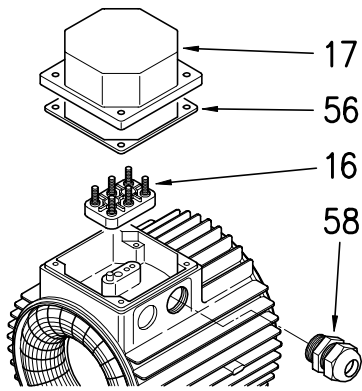


3 PHASE VERSION



Hoogeindsestraat 5
 NL - 5447 PD Rijkevoort
 T: +31 (0)485 - 371318
 F: +31 (0)485 - 371918
 info@pompentechniek.nl
 www.pompentechniek.nl

A	AGGIUNTO POSIZIONE 18						12.03.03
REV.	DESCRIZIONE DELLA MODIFICA	N° MOD.	DIS.	CONTR.	R&D	NORM.	DATA



DIS. ROSA
 NORM.
 DATA 10.10.2001

DESCRIZIONE
 2CDX

N° DISEGNO
 01320
 REV. A

Pezzi di ricambio
elettropompe

Spare parts
pumps

2CDXM 1~ 50Hz

Dwg n° 01320

Pos.	Denominazione	Part name	2CDXM/A 70/10	2CDXM/A 70/12	2CDXM/B 70/15	2CDXM/B 70/20	2CDXM/B 120/15	
			1611100000	1611120000	1611150000B	1611200000B	1621150000B	
001	CORPO POMPA	Casing	251420688		251420692		251420694	
003	SUPPORTO MOTORE	Motor bracket	240280545		240280563		240280546	
004	DISCO P/TENUTA	Casing cover	251402069		251402065		251402069	
006	ALBERO ROTORE	Shaft with rotor	275412189	275412190	275312232	276312700	275312232	
007	GIRANTE	Impeller	251450000		251450721		251450003	
008	GIRANTE	Impeller	251450720		251450721	251450002	251450003	
009	DIFFUSORE	Diffuser	251435024		251435026		251435024	
011-K	TENUTA PARTE FISSA	Mechanical seal fixed	364500006					
011-K	TENUTA PARTE ROTANTE	Mechanical seal rolling	364500006					
012	CASSA	Motor frame	277930174	277930173	277930015	277930234	277930015	
013-K	COPERCHIO MOTORE	Motor cover	352665043		230225072	230225089	230225072	
014	VENTOLA	Fan	369950002		369950008			
015-K	COPRIVENTOLA	Fan cover	352665045		362250080			
016	MORSETTIERA	Terminal box	365940253		365940254			
018-K	RONDELLA PARASPRUZZI	Splash ring	364500006					
019	CUSCINETTO	Bearing	360306203		360306204			
020	CUSCINETTO	Bearing	360306202		360306203			
021	ANELLO COMPENSATORE	Adjusting ring	360600035		360600040			
022	TIRANTE	Tie rod	369305135 (4)		369305148 (4)	369305161 (4)	369305148 (4)	
023	CONDENSATORE	Capacitor	361410020	361410031	361410035	361410040	361410035	
024	TAPPO	Priming plug	375192107					
025	TAPPO	Drain plug	375192107					
026-K	ANELLO OR	"O" ring	364500006					
027-K	ANELLO OR	"O" ring	364500006					
032-K	LINGUETTA	Key	364500006					
034-K	DADO GIRANTE	Impeller nut	364500006					

Data di creaz./
First release
May 2002
Rev.**A12/03/03**
Rev.**B/28/11/03**
Rev.**C/19/01/05**
Rev.**D08/02/08**

2CDX	70/10-70/12-70/15-70/20-200/30-200/40-200/50	K	CAR/CER/VITON H VERSION CODE NUMB.364500007
	70/10-70/12-70/15-70/20-200/30-200/40-200/50		SIC/SIC/VITON HS VERSION CODE NUMB.364500009
	120/15-120/20-120/30-120/40		CAR/CER/VITON H VERSION CODE NUMB.364500008
	120/15-120/20-120/30-120/40		SIC/SIC/VITON HS VERSION CODE NUMB.364500010

K=kit

(n)= Quantità per pompa / Quantity for pump

1/10



EBARA PUMPS EUROPE S.p.A. si riserva il diritto di apportare modifiche senza preavviso.
EBARA PUMPS EUROPE S.p.A. reserves the right to make modifications without prior notice.

EBARA PUMPS EUROPE S.p.A.

Jansen
WATERTECHNIEK
Hoogeindsestraat 5
NL - 5447 PD Rijkevoort
T: +31 (0)485 - 371318
F: +31 (0)485 - 371918
info@pompentechniek.nl
www.pompentechniek.nl

Pezzi di ricambio
elettropompe

Spare parts
pumps

2CDXM 1~ 50Hz

Dwg n° 01320

Pos.	Denominazione	Part name	2CDXM/A 70/10	2CDXM/A 70/12	2CDXM/B 70/15	2CDXM/B 70/20	2CDXM/B 120/15
			1611100000	1611120000	1611150000B	1611200000B	1621150000B
042	PIEDINO	Foot	371415013		371415015		
050	DISTANZIALE	Spacer	371415018	
052	SCATOLA P/COND.	Terminal box	363200550		363200201		
053	COPERCHIO SCATOLA	Terminal cover	363201104		363201101		
056	GUARNIZIONE	Box gasket	364700810			364700811	
058	PRESSACAVO	Cable entry	363201200		363201201		
059	GUARNIZIONE CONICA	Conic gasket	363201300		363201301		
072-K	ANELLO RASAMENTO	Casing ring	364500006				
073-K	ANELLO RASAMENTO	Casing ring	364500006				
075	RONDELLA TAPPO	Washer	367667000				
076	RONDELLA TAPPO	Washer	367667000				
077-K	ANELLO OR	"O" ring	364500006				
078-K	ANELLO OR	"O" ring	364500006				
079	DISTANZIALE DIFFUSORE	Spacer diffuser	251434026		251434028		251434026
090	GUARNIZIONE	Box gasket	364701515		364701520		
092	ANELLO TEN. LATO POMP.	Lip seal	360991522				
093	ANELLO TEN. LATO VENT.	Lip seal	360991522		360991529		
102	COPERCHIO DIFF.	Suction cover	251424008		251424012		251424008
103	COPERCHIO CONVOGLIAT	Conveyor cover	251402068		251402089		251402066
105	DISTANZ.GIRANTE	Sleeve	374434027				
110	MOTOPROTETTORE	Protector	369450503	369450506	369450503
200	VITE	Screw	369600023 (8)		369641003 (8)		369600023 (8)
257	FERMACAVO	Wire clamp	366550011		366550012		

Data di creaz./
First release
May 2002
Rev.**A12/03/03**
Rev.**B/28/11/03**
Rev.**C09/05/08**

2CDX	70/10-70/12-70/15-70/20-200/30-200/40-200/50	K	CAR/CER/VITON H VERSION CODE NUMB.364500007
	70/10-70/12-70/15-70/20-200/30-200/40-200/50		SIC/SIC/VITON HS VERSION CODE NUMB.364500009
	120/15-120/20-120/30-120/40		CAR/CER/VITON H VERSION CODE NUMB.364500008
	120/15-120/20-120/30-120/40		SIC/SIC/VITON HS VERSION CODE NUMB.364500010

K=kit

(n)= Quantità per pompa / Quantity for pump



EBARA PUMPS EUROPE S.p.A.

EBARA PUMPS EUROPE S.p.A. si riserva il diritto di apportare modifiche senza preavviso.
EBARA PUMPS EUROPE S.p.A. reserves the right to make modifications without prior notice.

2/10

Jansen
WATERTECHNIEK
Hoogindsestraat 5
NL - 5447 PD Rijkevoort
T: +31 (0)485 - 371318
F: +31 (0)485 - 371918
info@pompentechniek.nl
www.pompentechniek.nl

Pezzi di ricambio
elettropompe

Spare parts
pumps

2CDXM 1~ 50Hz

Dwg n° **01320**

Pos.	Denominazione	Part name	2CDXM/B 120/20				
			1621200000B				
001	CORPO POMPA	Casing	251420694				
003	SUPPORTO MOTORE	Motor bracket	240280546				
004	DISCO P/TENUTA	Casing cover	251402069				
006	ALBERO ROTORE	Shaft with rotor	276312700				
007	GIRANTE	Impeller	251450004				
008	GIRANTE	Impeller	251450003				
009	DIFFUSORE	Diffuser	251435024				
011-K	TENUTA PARTE FISSA	Mechanical seal fixed	364500006				
011-K	TENUTA PARTE ROTANTE	Mechanical seal rolling	364500006				
012	CASSA	Motor frame	277930234				
013	COPERCHIO MOTORE	Motor cover	230225089				
014	VENTOLA	Fan	369950008				
015	COPRIVENTOLA	Fan cover	362250080				
016	MORSETTIERA	Terminal box	365940254				
018-K	RONDELLA PARASPRUZZI	Splash ring	364500004				
019	CUSCINETTO	Bearing	360306204				
020	CUSCINETTO	Bearing	360306203				
021	ANELLO COMPENSATORE	Adjusting ring	360600040				
022	TIRANTE	Tie rod	369305161 (4)				
023	CONDENSATORE	Capacitor	361410040				
024	TAPPO	Priming plug	375192107				
025	TAPPO	Drain plug	375192107				
026-K	ANELLO OR	"O" ring	364500006				
027-K	ANELLO OR	"O" ring	364500006				
032-K	LINGUETTA	Key	364500006				
034-K	DADO GIRANTE	Impeller nut	364500006				

Data di creaz./
First release
May 2002
Rev.A 12/03/03
Rev.B/28/11/03
Rev.C/19/01/05

2CDX	70/10-70/12-70/15-70/20-200/30-200/40-200/50	K	CAR/CER/VITON H VERSION CODE NUMB.364500007
	70/10-70/12-70/15-70/20-200/30-200/40-200/50		SIC/SIC/VITON HS VERSION CODE NUMB.364500009
	120/15-120/20-120/30-120/40		CAR/CER/VITON H VERSION CODE NUMB.364500008
	120/15-120/20-120/30-120/40		SIC/SIC/VITON HS VERSION CODE NUMB.364500010

K=kit

(n)= Quantità per pompa / Quantity for pump



EBARA PUMPS EUROPE S.p.A. si riserva il diritto di apportare modifiche senza preavviso.
EBARA PUMPS EUROPE S.p.A. reserves the right to make modifications without prior notice.

EBARA PUMPS EUROPE S.p.A.

3/10

Jansen
WATERTECHNIEK
Hoogindsestraat 5
NL - 5447 PD Rijkevoort
T: +31 (0)485 - 371318
F: +31 (0)485 - 371918
info@pompentechniek.nl
www.pompentechniek.nl

Pezzi di ricambio
elettropompe

Spare parts
pumps

2CDXM 1~ 50Hz

Dwg n° 01320

Pos.	Denominazione	Part name	2CDXM/B 120/20				
			1621200000B				
042	PIEDINO	Foot	371415015				
050	DISTANZIALE	Spacer				
052	SCATOLA P/COND.	Terminal box	363200201				
053	COPERCHIO SCATOLA	Terminal cover	363201101				
056	GUARNIZIONE	Box gasket	364700811				
058	PRESSACAVO	Cable entry	363201201				
059	GUARNIZIONE CONICA	Conic gasket	363201301				
072-K	ANELLO RASAMENTO	Casing ring	364500006				
073-K	ANELLO RASAMENTO	Casing ring	364500006				
075	RONDELLA TAPPO	Washer	367667000				
076	RONDELLA TAPPO	Washer	367667000				
077-K	ANELLO OR	"O" ring	364500006				
078-K	ANELLO OR	"O" ring	364500006				
079	DISTANZIALE DIFFUSORE	Spacer diffuser	251434026				
090	GUARNIZIONE	Box gasket	364701520				
092	ANELLO TEN. LATO POMP.	Lip seal	360991522				
093	ANELLO TEN. LATO VENT.	Lip seal	360991529				
102	COPERCHIO DIFF.	Suction cover	251424008				
103	COPERCHIO CONVOGLIAT	Conveyor cover	251402066				
105	DISTANZ.GIRANTE	Sleeve	374434027				
110	MOTOPROTETTORE	Protector	369450506				
200	VITE	Screw	369600023 (8)				
257	FERMACAVO	Wire clamp	366550012				

Data di creaz./
First release
May 2002
Rev.**A12/03/03**
Rev.**B28/04/03**
Rev.**C/28/11/03**

2CDX	70/10-70/12-70/15-70/20-200/30-200/40-200/50	K	CAR/CER/VITON H VERSION CODE NUMB.364500007
	70/10-70/12-70/15-70/20-200/30-200/40-200/50		SIC/SIC/VITON HS VERSION CODE NUMB.364500009
	120/15-120/20-120/30-120/40		CAR/CER/VITON H VERSION CODE NUMB.364500008
	120/15-120/20-120/30-120/40		SIC/SIC/VITON HS VERSION CODE NUMB.364500010

K=kit

(n)= Quantità per pompa / Quantity for pump

4/10



EBARA PUMPS EUROPE S.p.A.

EBARA PUMPS EUROPE S.p.A. si riserva il diritto di apportare modifiche senza preavviso.
EBARA PUMPS EUROPE S.p.A. reserves the right to make modifications without prior notice.



Pezzi di ricambio
elettropompe

Spare parts
pumps

2CDX 3~ 50Hz

Dwg n° **01320**

Pos.	Denominazione	Part name	2CDX/A 70/10	2CDX/A 70/12	2CDX/A 70/15	2CDX/A 70/20	2CDX/A 120/15	
			1611100004	1611120004	1611150004	1611200004	1621150004	
001	CORPO POMPA	Casing	251420688		251420692		251420694	
003	SUPPORTO MOTORE	Motor bracket	240280545		240280563		240280546	
004	DISCO P/TENUTA	Casing cover	251402069		251402065		251402069	
006	ALBERO ROTORE	Shaft with rotor	275412189	275412190	275412246	275312232	275412246	
007	GIRANTE	Impeller	251450000		251450721		251450003	
008	GIRANTE	Impeller	251450720		251450721	251450002	251450003	
009	DIFFUSORE	Diffuser	251435024		251435026		251435024	
011-K	TENUTA PARTE FISSA	Mechanical seal fixed	364500006					
011-K	TENUTA PARTE ROTANTE	Mechanical seal rolling	364500006					
012	CASSA	Motor frame	277930180	277930181	277930801	277930220	277930801	
013-K	COPERCHIO MOTORE	Motor cover	352665043		230225072			
014	VENTOLA	Fan	369950002		369950008			
015-K	COPRIVENTOLA	Fan cover	352665045		362250080			
016	MORSETTIERA	Terminal box	365940256		365950326			
017	COPRIMORSETTIERA	Terminal box cover	363232010		363232008			
018-K	RONDELLA PARASPRUZZI	Splash ring	364500006					
019	CUSCINETTO	Bearing	360306203		360306204			
020	CUSCINETTO	Bearing	360306202		360306203			
021	ANELLO COMPENSATORE	Adjusting ring	360600035		360600040			
022	TIRANTE	Tie rod	369305135 (4)		369305148 (4)			
024	TAPPO	Priming plug	375192107					
025	TAPPO	Drain plug	375192107					
026-K	ANELLO OR	"O" ring	364500006					
027-K	ANELLO OR	"O" ring	364500006					
032-K	LINGUETTA	Key	364500006					
034-K	DADO GIRANTE	Impeller nut	364500006					

Data di creaz./
First release
May 2002
Rev. **A12/03/03**
Rev. **B/28/11/03**
Rev. **C/19/01/05**
Rev. **D08/02/08**

2CDX	70/10-70/12-70/15-70/20-200/30-200/40-200/50	K	CAR/CER/VITON H VERSION CODE NUMB.364500007
	70/10-70/12-70/15-70/20-200/30-200/40-200/50		SIC/SIC/VITON HS VERSION CODE NUMB.364500009
	120/15-120/20-120/30-120/40		CAR/CER/VITON H VERSION CODE NUMB.364500008
	120/15-120/20-120/30-120/40		SIC/SIC/VITON HS VERSION CODE NUMB.364500010

K=kit

(n)= Quantità per pompa / Quantity for pump

5/10



EBARA PUMPS EUROPE S.p.A.

EBARA PUMPS EUROPE S.p.A. si riserva il diritto di apportare modifiche senza preavviso.
EBARA PUMPS EUROPE S.p.A. reserves the right to make modifications without prior notice.

Jansen
WATERTECHNIEK
Hoogindsestraat 5
NL - 5447 PD Rijkevoort
T: +31 (0)485 - 371318
F: +31 (0)485 - 371918
info@pompechtechniek.nl
www.pompechtechniek.nl

Pezzi di ricambio
elettropompe

Spare parts
pumps

2CDX 3~ 50Hz

Dwg n° 01320

Pos.	Denominazione	Part name	2CDX/A 70/10	2CDX/A 70/12	2CDX/A 70/15	2CDX/A 70/20	2CDX/A 120/15
			1611100004	1611120004	1611150004	1611200004	1621150004
042	PIEDINO	Foot	371415013		371415015		
050	DISTANZIALE	Spacer	371415018	
056	GUARNIZIONE	Box gasket	364700810		364700811		
058	PRESSACAVO	Cable entry			366550010		
072-K	ANELLO RASAMENTO	Casing ring			364500006		
073-K	ANELLO RASAMENTO	Casing ring			364500006		
075	RONDELLA TAPPO	Washer			367667000		
076	RONDELLA TAPPO	Washer			367667000		
077-K	ANELLO OR	"O" ring			364500006		
078-K	ANELLO OR	"O" ring			364500006		
079	DISTANZIALE DIFFUSORE	Spacer diffuser	251434026		251434028		251434026
092	ANELLO TEN. LATO POMP	Lip seal			360991522		
093	ANELLO TEN. LATO VENT.	Lip seal	360991522		360991529		
102	COPERCHIO DIFF.	Suction cover	251424008		251424012		251424008
103	COPERCHIO CONVOGLIAT	Conveyor cover	251402068		251402089		251402066
105	DISTANZ.GIRANTE	Sleeve			374434027		
200	VITE	Screw	369600023 (8)		369641003 (8)		369600023 (8)

Data di creaz./
First release
May 2002
Rev.**A12/03/03**
Rev.**B28/04/03**
Rev.**C/28/11/03**

2CDX	70/10-70/12-70/15-70/20-200/30-200/40-200/50	K	CAR/CER/VITON H VERSION CODE NUMB.364500007
	70/10-70/12-70/15-70/20-200/30-200/40-200/50		SIC/SIC/VITON HS VERSION CODE NUMB.364500009
	120/15-120/20-120/30-120/40		CAR/CER/VITON H VERSION CODE NUMB.364500008
	120/15-120/20-120/30-120/40		SIC/SIC/VITON HS VERSION CODE NUMB.364500010

K=kit

(n)= Quantità per pompa / Quantity for pump

6/10



EBARA PUMPS EUROPE S.p.A.

Pezzi di ricambio
elettropompe

Spare parts
pumps

2CDX 3~ 50Hz

Dwg n° 01320

Pos.	Denominazione	Part name	2CDX/A 120/20	2CDX 120/30	2CDX 120/40	2CDX 200/30
			1621200004	1989300004	1989400004	1999300004
001	CORPO POMPA	Casing	251420694	251420696	251420689	
003	SUPPORTO MOTORE	Motor bracket	240280546	240080565	240080564	
004	DISCO P/TENUTA	Casing cover	251402069	251402065	251402069	
006	ALBERO ROTORE	Shaft with rotor	275312232	275312255	275312256	275312257
007	GIRANTE	Impeller		251450004		251450007
008	GIRANTE	Impeller	251450003	251450004	251450005	251450006
009	DIFFUSORE	Diffuser	251435024	251435026		251435024
011-K	TENUTA PARTE FISSA	Mechanical seal fixed		364500006		
011-K	TENUTA PARTE ROTANTE	Mechanical seal rolling		364500006		
012	CASSA	Motor frame	277930220	277930430	277930425	
013	COPERCHIO MOTORE	Motor cover	230225072	230225504		
014	VENTOLA	Fan	369950008	369950009		
015	COPRIVENTOLA	Fan cover	362250080	362250009		
016	MORSETTIERA	Terminal box		365950326		
017	COPRIMORSETTIERA	Terminal box cover		363232008		
018-K	RONDELLA PARASPRUZZI	Splash ring		364500006		
019	CUSCINETTO	Bearing	360306204	360306305	360306205	
020	CUSCINETTO	Bearing	360306203	360306205		
021	ANELLO COMPENSATORE	Adjusting ring	360600040	360600052		
022	TIRANTE	Tie rod	369305148 (4)	369305165 (4)	369305190 (4)	
024	TAPPO	Priming plug		375192107		
025	TAPPO	Drain plug		375192107		
026-K	ANELLO OR	"O" ring		364500006		
027-K	ANELLO OR	"O" ring		364500006		
032-K	LINGUETTA	Key		364500006		
034-K	DADO GIRANTE	Impeller nut		364500006		

Data di creaz./
First release
May 2002
Rev. **A12/03/03**
Rev. **B/28/11/03**
Rev. **C/19/01/05**

2CDX	70/10-70/12-70/15-70/20-200/30-200/40-200/50	K	CAR/CER/VITON H VERSION CODE NUMB.364500007
	70/10-70/12-70/15-70/20-200/30-200/40-200/50		SIC/SIC/VITON HS VERSION CODE NUMB.364500009
	120/15-120/20-120/30-120/40		CAR/CER/VITON H VERSION CODE NUMB.364500008
	120/15-120/20-120/30-120/40		SIC/SIC/VITON HS VERSION CODE NUMB.364500010

K=kit

(n)= Quantità per pompa / Quantity for pump

7/10



EBARA PUMPS EUROPE S.p.A.

EBARA PUMPS EUROPE S.p.A. si riserva il diritto di apportare modifiche senza preavviso.
EBARA PUMPS EUROPE S.p.A. reserves the right to make modifications without prior notice.

Jansen
WATERTECHNIEK
Hoogindsestraat 5
NL - 5447 PD Rijkevoort
T: +31 (0)485 - 371318
F: +31 (0)485 - 371918
info@pompentechniek.nl
www.pompentechniek.nl

Pezzi di ricambio
elettropompe

Spare parts
pumps

2CDX 3~ 50Hz

Dwg n° 01320

Pos.	Denominazione	Part name	2CDX/A 120/20	2CDX 120/30	2CDX 120/40	2CDX 200/30	
			1621200004	1989300004	1989400004	1999300004	
042	PIEDINO	Foot	371415015	371415013		371415014	
050	DISTANZIALE	Spacer	
056	GUARNIZIONE	Box gasket	364700811				
058	PRESSACAVO	Cable entry	366550010	366550013			
072-K	ANELLO RASAMENTO	Casing ring	364500006				
073-K	ANELLO RASAMENTO	Casing ring	364500006				
075	RONDELLA TAPPO	Washer	367667000				
076	RONDELLA TAPPO	Washer	367667000				
077-K	ANELLO OR	"O" ring	364500006				
078-K	ANELLO OR	"O" ring	364500006				
079	DISTANZIALE DIFFUSORE	Spacer diffuser	251434026	251434028		251434026	
092	ANELLO TEN. LATO POMP	Lip seal	360991522				
093	ANELLO TEN. LATO VENT.	Lip seal	360991529	360991531			
102	COPERCHIO DIFF.	Suction cover	251424008	251424012		251424008	
103	COPERCHIO CONVOGLIAT	Conveyor cover	251402066	251402071		251402066	
105	DISTANZ.GIRANTE	Sleeve	374434027				
200	VITE	Screw	369600023 (8)	369641003		369600023 (8)	

Data di creaz./
First release
May 2002
Rev. **A12/03/03**
Rev. **B28/04/03**
Rev. **C28/11/03**

2CDX	70/10-70/12-70/15-70/20-200/30-200/40-200/50	K	CAR/CER/VITON H VERSION CODE NUMB.364500007
	70/10-70/12-70/15-70/20-200/30-200/40-200/50		SIC/SIC/VITON HS VERSION CODE NUMB.364500009
	120/15-120/20-120/30-120/40		CAR/CER/VITON H VERSION CODE NUMB.364500008
	120/15-120/20-120/30-120/40		SIC/SIC/VITON HS VERSION CODE NUMB.364500010

K=kit

(n)= Quantità per pompa / Quantity for pump

8/10



EBARA PUMPS EUROPE S.p.A.



Pezzi di ricambio
elettropompe

Spare parts
pumps

2CDX 3~ 50Hz

Dwg n° **01320**

Pos.	Denominazione	Part name	2CDX 200/40	2CDX 200/50			
			1999400004	1999500004			
001	CORPO POMPA	Casing	251420693				
003	SUPPORTO MOTORE	Motor bracket	240080565	240080566			
004	DISCO P/TENUTA	Casing cover	251402065				
006	ALBERO ROTORE	Shaft with rotor	275312256	275312306			
007	GIRANTE	Impeller	251450007	251450008			
008	GIRANTE	Impeller	251450007				
009	DIFFUSORE	Diffuser	251435026				
011-K	TENUTA PARTE FISSA	Mechanical seal fixed	364500006				
011-K	TENUTA PARTE ROTANTE	Mechanical seal rolling	364500006				
012	CASSA	Motor frame	277930425	277930421			
013	COPERCHIO MOTORE	Motor cover	230225504	230225507			
014	VENTOLA	Fan	369950009	369950004			
015	COPRIVENTOLA	Fan cover	362250009	362250100			
016	MORSETTIERA	Terminal box	365950326	365956366			
017	COPRIMORSETTIERA	Terminal box cover	363232008				
018-K	RONDELLA PARASPRUZZI	Splash ring	364500006				
019	CUSCINETTO	Bearing	360306305	360306206			
020	CUSCINETTO	Bearing	360306205				
021	ANELLO COMPENSATORE	Adjusting ring	360600052				
022	TIRANTE	Tie rod	369305190 (4)	369306200 (4)			
024	TAPPO	Priming plug	375192107				
025	TAPPO	Drain plug	375192107				
026-K	ANELLO OR	"O" ring	364500006				
027-K	ANELLO OR	"O" ring	364500006				
032-K	LINGUETTA	Key	364500006				
034-K	DADO GIRANTE	Impeller nut	364500006				

Data di creaz./
First release
May 2002
Rev. **A12/03/03**
Rev. **B28/11/03**
Rev. **C19/01/05**

2CDX	70/10-70/12-70/15-70/20-200/30-200/40-200/50	K	CAR/CER/VITON H VERSION CODE NUMB.364500007
	70/10-70/12-70/15-70/20-200/30-200/40-200/50		SIC/SIC/VITON HS VERSION CODE NUMB.364500009
	120/15-120/20-120/30-120/40		CAR/CER/VITON H VERSION CODE NUMB.364500008
	120/15-120/20-120/30-120/40		SIC/SIC/VITON HS VERSION CODE NUMB.364500010

K=kit

(n)= Quantità per pompa / Quantity for pump

9/10



EBARA PUMPS EUROPE S.p.A.

EBARA PUMPS EUROPE S.p.A. si riserva il diritto di apportare modifiche senza preavviso.
EBARA PUMPS EUROPE S.p.A. reserves the right to make modifications without prior notice.



Pezzi di ricambio
elettropompe

Spare parts
pumps

2CDX 3~ 50Hz

Dwg n° **01320**

Pos.	Denominazione	Part name	2CDX 200/40	2CDX 200/50		
			1999400004	1999500004		
042	PIEDINO	Foot	371415013	371415014		
050	DISTANZIALE	Spacer		
056	GUARNIZIONE	Box gasket	364700811			
058	PRESSACAVO	Cable entry	366550013	366550014		
072-K	ANELLO RASAMENTO	Casing ring	364500006			
073-K	ANELLO RASAMENTO	Casing ring	364500006			
075	RONDELLA TAPPO	Washer	367667000			
076	RONDELLA TAPPO	Washer	367667000			
077-K	ANELLO OR	"O" ring	364500006			
078-K	ANELLO OR	"O" ring	364500006			
079	DISTANZIALE DIFFUSORE	Spacer diffuser	251434028			
092	ANELLO TEN. LATO POMP	Lip seal	360991522			
093	ANELLO TEN. LATO VENT.	Lip seal	360991531			
102	COPERCHIO DIFF.	Suction cover	251424012			
103	COPERCHIO CONVOGLIAT	Conveyor cover	251402071			
105	DISTANZ.GIRANTE	Sleeve	374434027			
200	VITE	Screw	369641003 (8)			

Data di creaz./
First release
May 2002
Rev. **A12/03/03**
Rev. **B28/04/03**
Rev. **C28/11/03**

2CDX	70/10-70/12-70/15-70/20-200/30-200/40-200/50	K	CAR/CER/VITON H VERSION CODE NUMB.364500007
	70/10-70/12-70/15-70/20-200/30-200/40-200/50		SIC/SIC/VITON HS VERSION CODE NUMB.364500009
	120/15-120/20-120/30-120/40		CAR/CER/VITON H VERSION CODE NUMB.364500008
	120/15-120/20-120/30-120/40		SIC/SIC/VITON HS VERSION CODE NUMB.364500010

K=kit

(n)= Quantità per pompa / Quantity for pump



10/10

EBARA PUMPS EUROPE S.p.A.

Jansen
WATERTECHNIEK
Hoogeindsestraat 5
NL - 5447 PD Rijkevoort
T: +31 (0)485 - 371318
F: +31 (0)485 - 371918
info@pompeentechniek.nl
www.pompeentechniek.nl