

The guide rail system

AFGRS 2 - 2/3
 for types BV 204 - BV 208

AFGRS 3 - 2/3
 for type BV 315

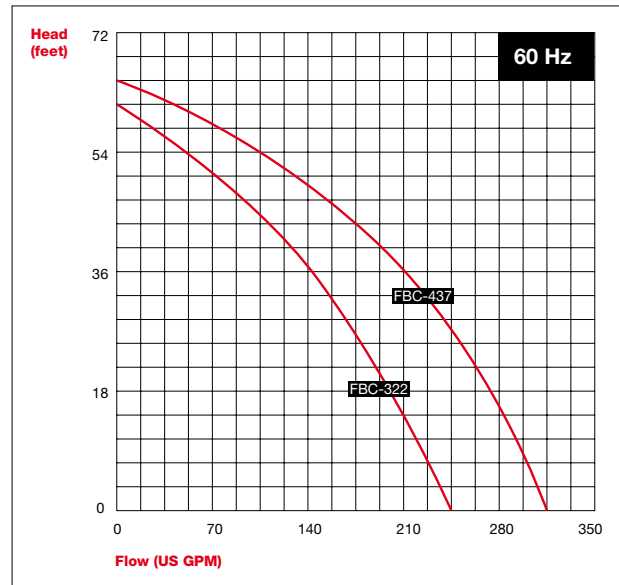
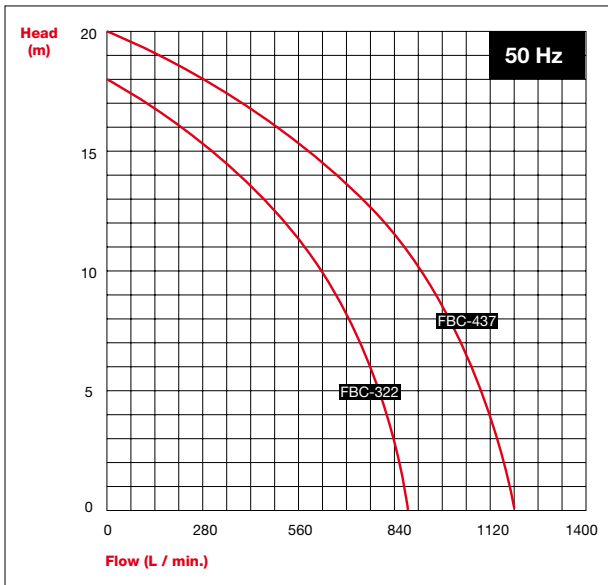
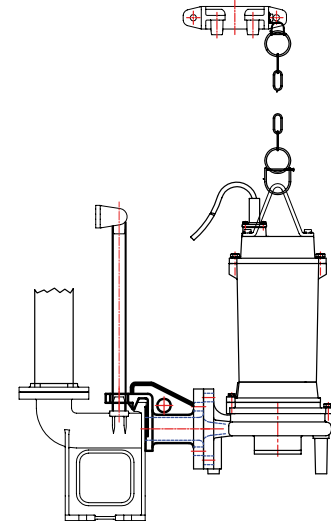
AFGRS 3 - 3/4
 for types FBV 322 - FBV 337

AFGRS 4 - 3/4
 for types FBV 455 - FBV 475



Guide rail system including:

- Stainless steel upper holder.
- 5 meter stainless steel chain.
- Required fixtures.



Model	Discharge		Output		Max. Flow & Head				Free passage		Weight		Dimensions mm		Rated current
	mm	Inch	kW	HP	50 Hz		60 Hz		mm	Inch	Kg	Lbs	Height	Diamtr.	400 V
					L/min	M	GPM	Feet							
(F) FBC - 322	80	3	2,2	3	900	18	238	59	36	1,1	48,5	107	641	480	5
(F) FBC - 437	100	4	3,7	5	1200	20	317	66	36	1,4	55,5	122	641	480	8,3

(F) FBC = with guide rail system. FBC = without guide rail system.

AFEC pumps – best return on investment