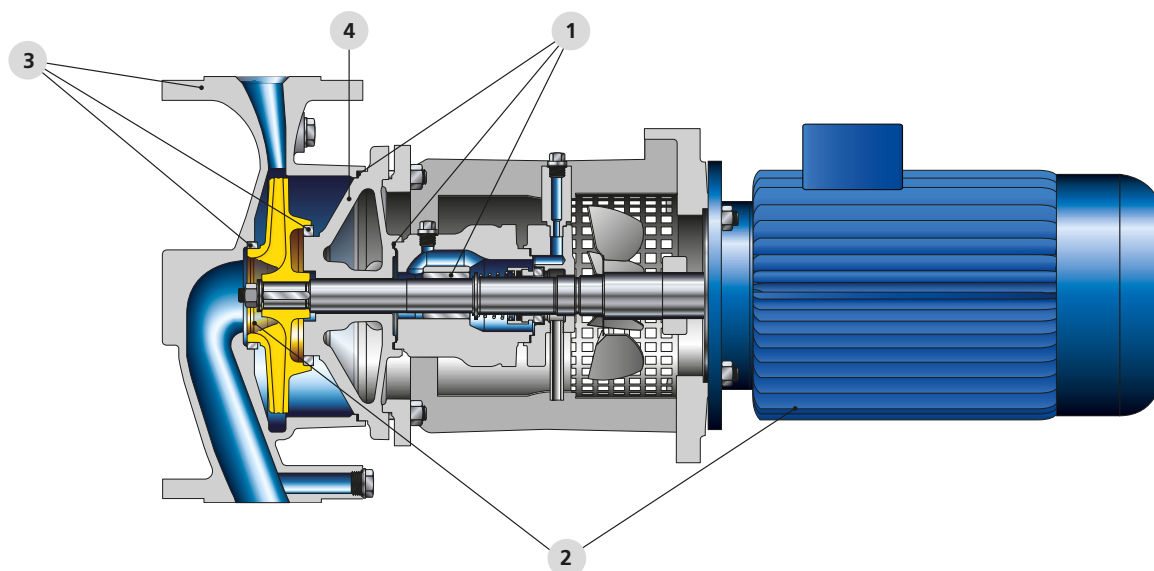


Etabloc SYT, Etaline SYT – Thermal Oil/Hot Water Pumps



1 Maximum operating reliability

- Confined gaskets
- Anti-seize carbon plain bearing lubricated by the fluid handled

2 High energy efficiency

- Optimised hydraulic system yields high efficiency.
- Impeller trimmed to match the specified duty point
- Suitable for variable-speed operation and equipped with IE2 motor as standard

3 Easy to service

- Replaceable wear rings and straightforward dismantling of bearing bracket
- Space-saving in-line design for easy installation and simple piping layout
- Insensitive to external nozzle forces and moments

4 Robust design

- Sturdy discharge cover designed for high stiffness
- Optimised heat barrier, little wear

Materials	Technical data*		Etaline / Etabloc SYT		Etanorm SYT/RSY	
			Thermal oil	Hot water	Thermal oil	Hot water
Volute casing	Nodular cast iron EN-GJS-400-18LT					
Discharge cover	Nodular cast iron EN-GJS-400-15					
Shaft	Chrome steel 1.4021+QTHRC55					
Impeller	Grey cast iron EN-GJL-250					
Wear rings	Grey cast iron GG					
Bearing bracket	Nodular cast iron EN-GJS-400-15					
	Max. flow rate		280/325	280/325	1,900/2,280	1,900/2,280 m ³ /h
	Max. head		67/97	67/97	102/90	102/90 m
	Fluid temperature		-30 to +350	up to +180	-30 to +350	up to +180 °C
	Max. operating pressure		16	16	16	16 bar

* Values for 50 Hz/60 Hz

Automation options: PumpDrive, PumpExpert, Hyamaster, hyatronic

